

/ Descriptions

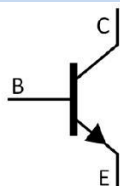
TO-92 NPN

/ Features

I_{CBO} , $V_{CE(sat)}$

/ Applications

/ Equivalent Circuit

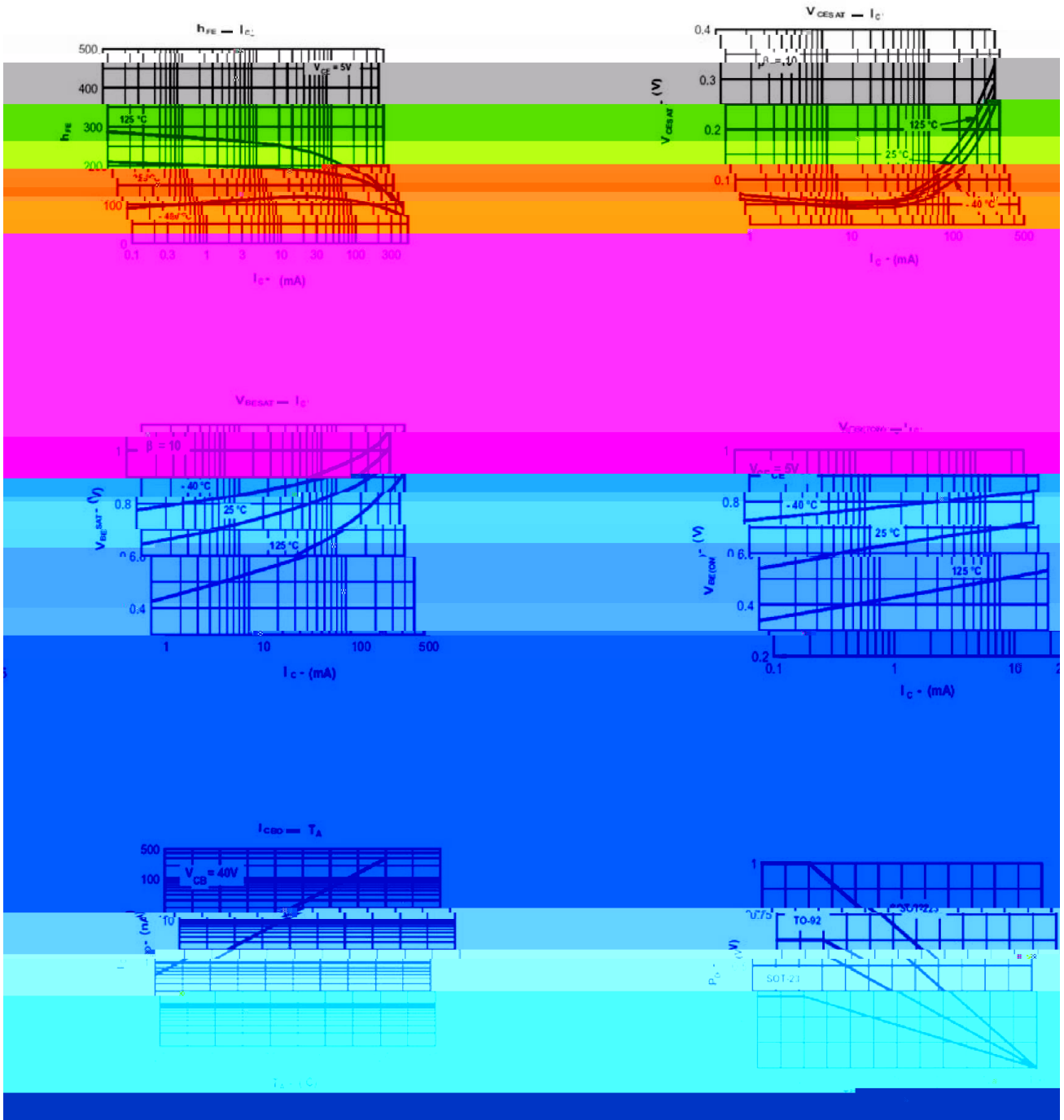


/ Pinning



/ hFE Classifications & Marking

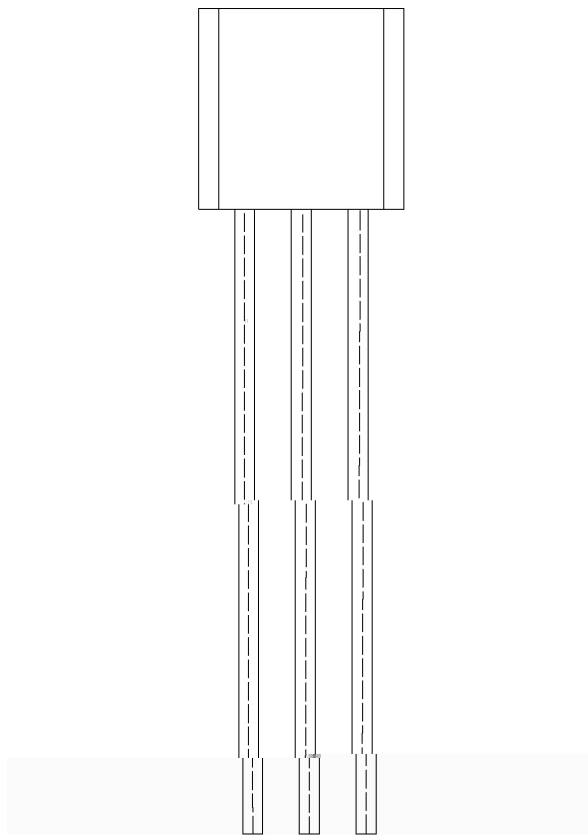
/ Electrical Characteristic Curve



2N2222A

DATA SHEET

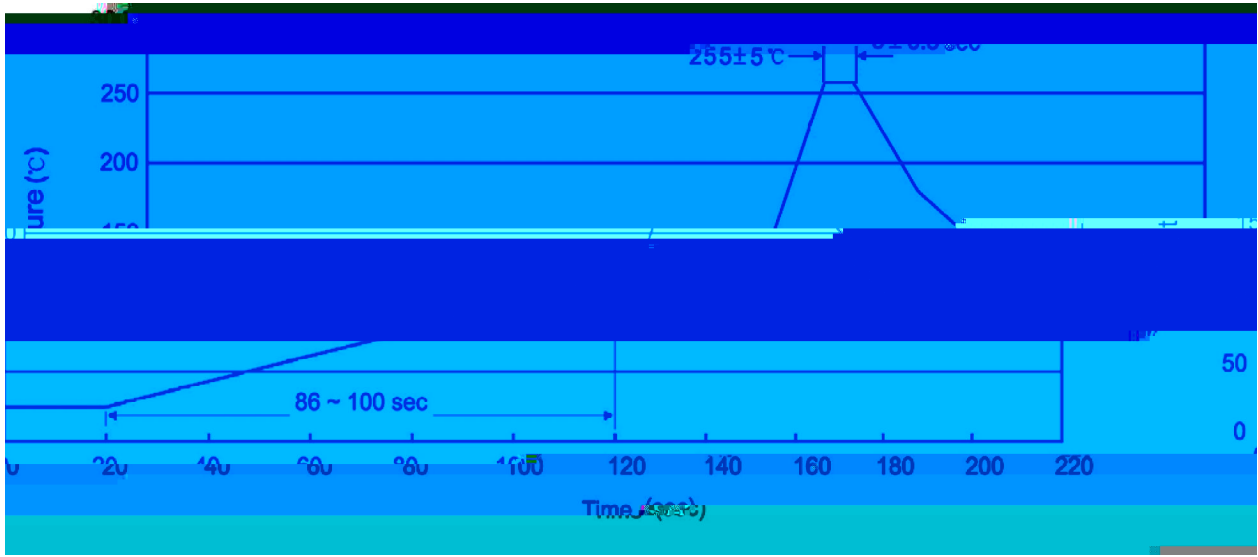
/ Marking Instructions



BR:

N 2222A

() / Temperature Profile for Dip Soldering(Pb-Free)



± ± ± ±

/ Resistance to Soldering Heat Test Conditions

± ±

/ Packaging SPEC.

| 封装形式 | 包装数量 | | | | | 包装尺寸 : | | |
|------|------|----|----|----|----|--------|---|---|
| | 只袋 | 袋盒 | 只盒 | 盒箱 | 只箱 | 袋 | 盒 | 箱 |
| | | | | | | | | |

| 封装形式 | 包装数量 | | | | | 包装尺寸 : | |
|------|------|-----|------|----|----|--------|---|
| | 只纸带 | 纸带盒 | 纸带层盒 | 盒箱 | 只箱 | 盒 | 箱 |
| | | | | | | 小箱 | 箱 |
| | | | | | | 大箱 | |