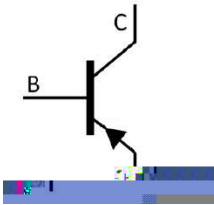


SOT-23 PNP Silicon PNP transistor in a SOT-23 Plastic Package.

Low collector to emitter saturation voltage, excellent linearity of DC forward current Gain, high collector current, high gain band width product.

Small type motor drive, relay drive, power supply.



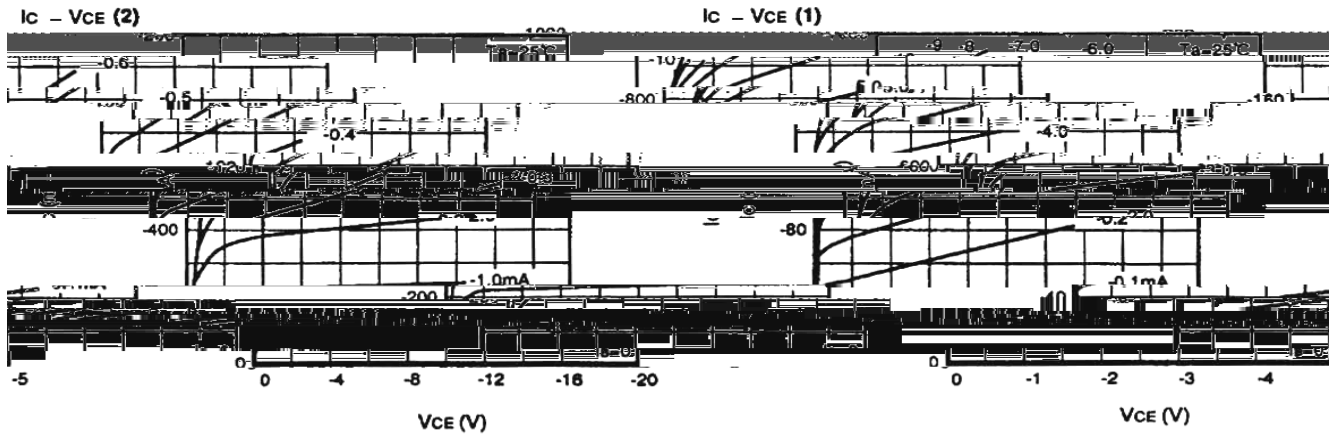
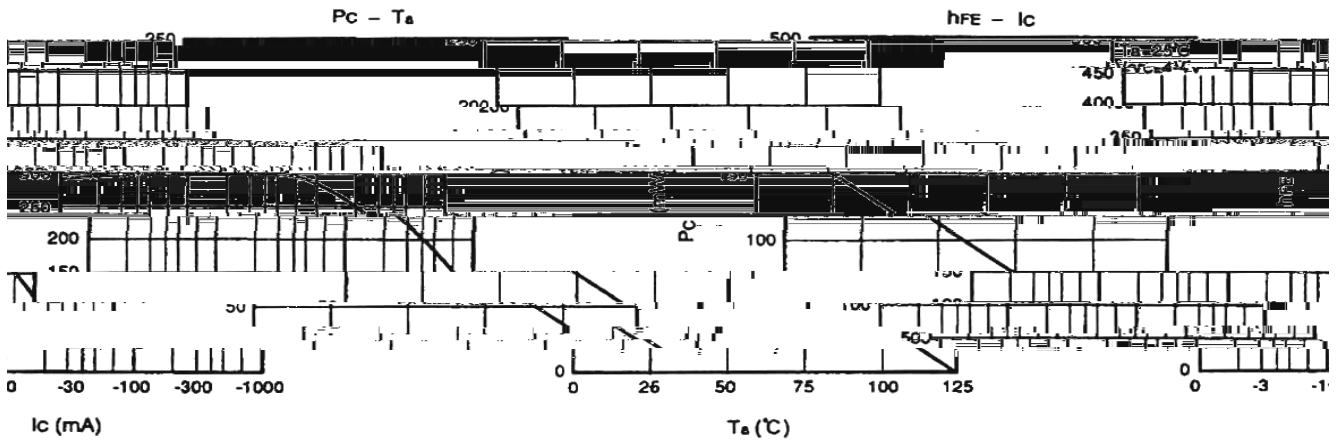
PIN1 Base PIN 2 Emitter PIN 3 Collector

/ h_{FE} Classifications & Marking

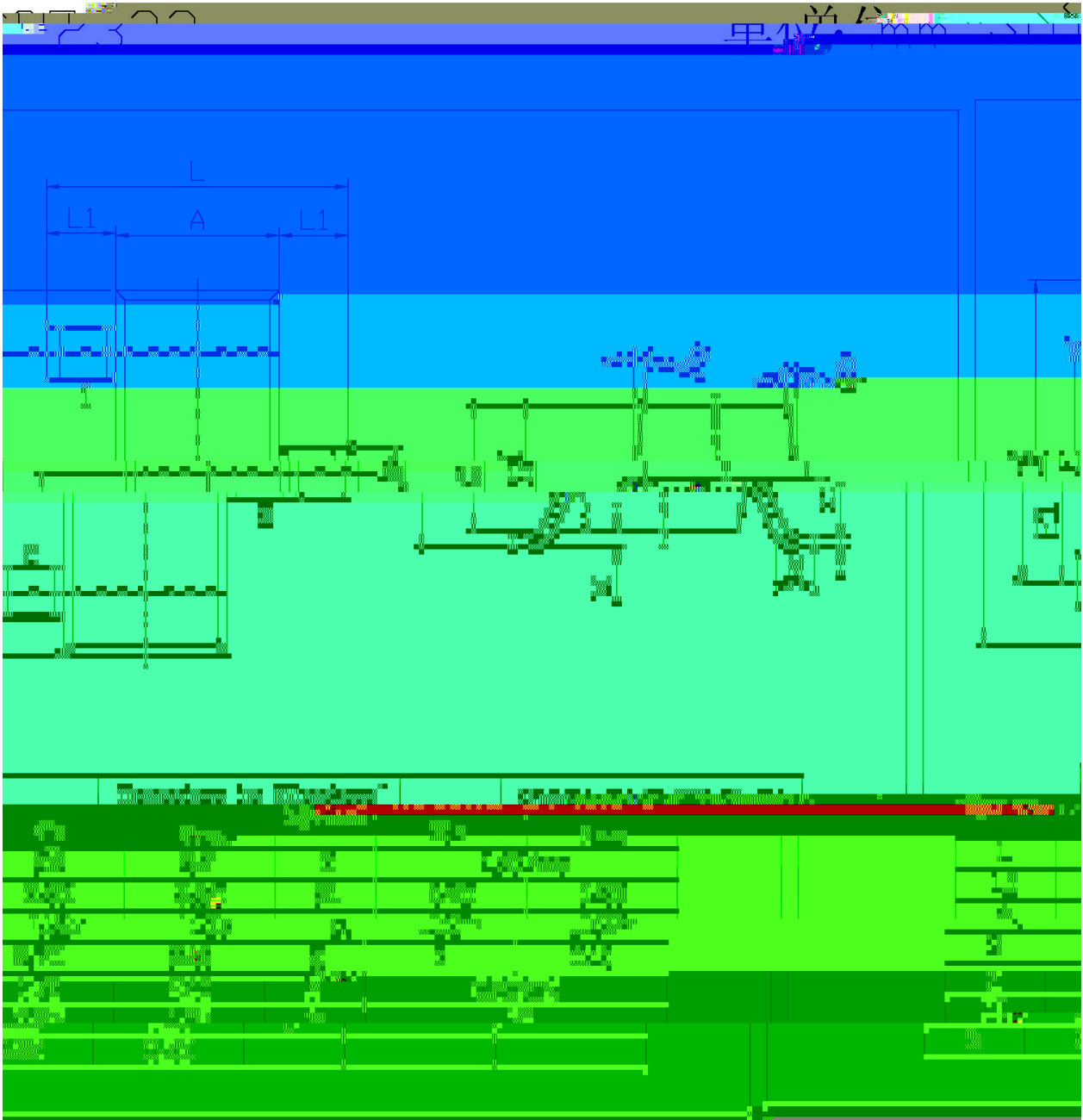
/ Absolute Maximum Ratings(Ta=25

Parameter	Symbol	Rating	Unit
Collector to Base Voltage	V_{CBO}	-25	V
Collector to Emitter Voltage	V_{CEO}	-20	V
Emitter to Base Voltage	V_{EBO}	-4.0	V
Collector Current	I_C	-700	mA
Peak Current	I_{CM}	-1.0	A
Collector Power Dissipation	P_C	150	mW
Junction Temperature	T_j	150	
Storage Temperature Range	T_{stg}	-55 150	

/ Elec65M Characteristic Curve



/ Package Dimensions



/ Marking Instructions



H

A

E: h_{FE}

Note:

H: Company Code.

A: Product Type Code

E: h_{FE} Classifications Symbol Code

