

/ Descriptions

TO-92 PNP Silicon PNP transistor in a TO-92 Plastic Package.

/ Features

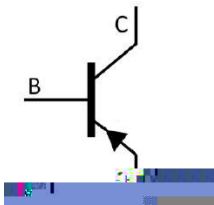
2SC5343

Low $V_{CE(sat)}$, low output capacitance, complementary pair with 2SC5343.

/ Applications

General small signal amplifier applications.

/ Equivalent Circuit



/ Pinning



PIN1 Base PIN 2 Collector PIN 3 Emitter

/ hFE Classifications & Marking

h _{FE} Classifications Symbol	O	Y	G	L
h _{FE} Range	70~140	120~240	200~400	300~700

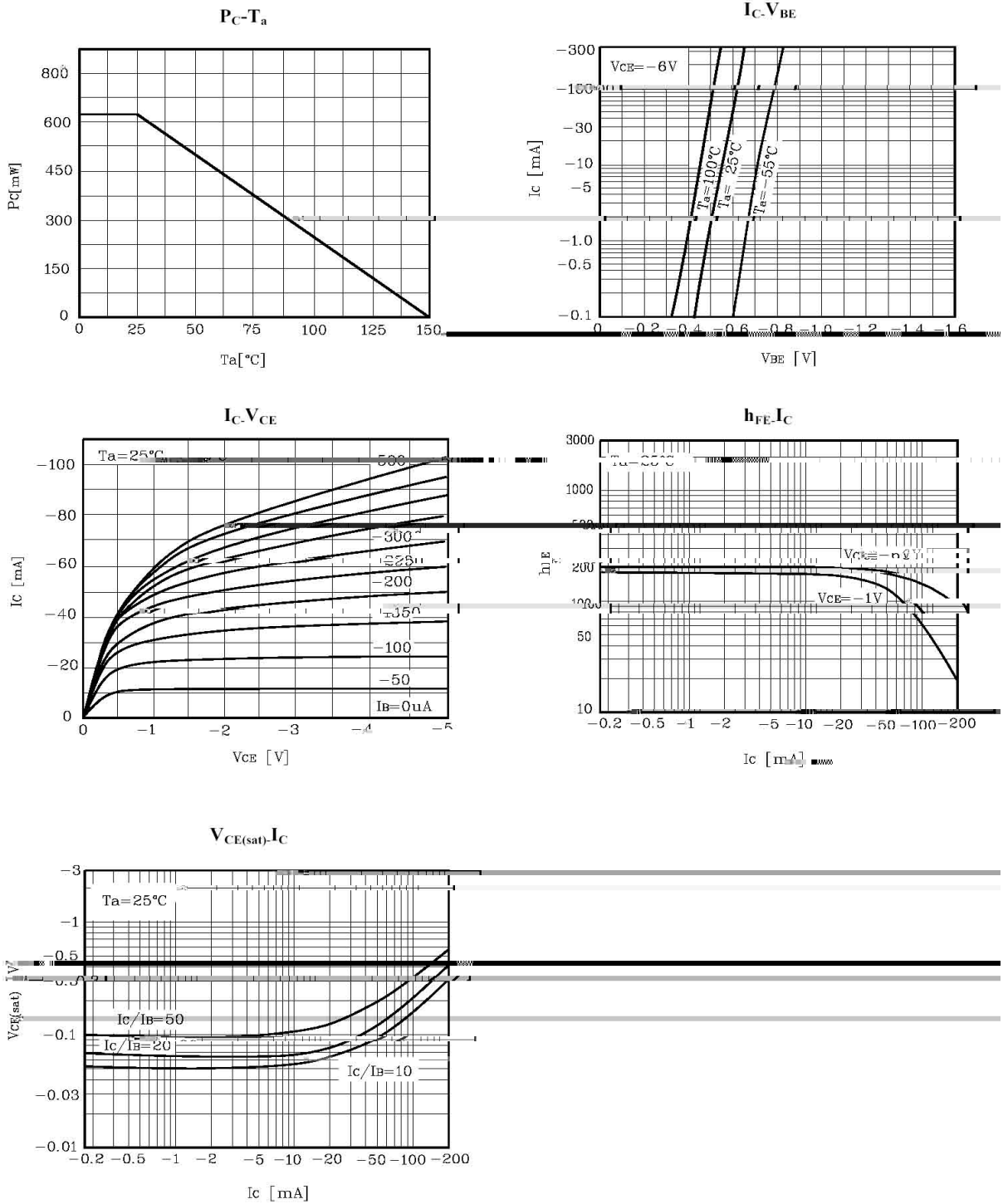
/ Absolute Maximum Ratings(Ta=25)

Parameter	Symbol	Rating	Unit
Collector to Base Voltage	V_{CBO}	-50	V
Collector to Emitter Voltage	V_{CEO}	-50	V
Emitter to Base Voltage	V_{EBO}	-5.0	V
Collector Current - Continuous	I_C	-150	mA
Collector Power Dissipation	P_C	625	mW
Junction Temperature	T_j	150	
Storage Temperature Range	T_{stg}	-55 150	

/ Electrical Characteristics(Ta=25)

Parameter	Symbol	Test Conditions	Min	Typ	Max	Unit
Collector to Base Breakdown Voltage	V_{CBO}	$I_C=-100\text{ A}$ $I_E=0$	-50			V
Collector to Emitter Breakdown Voltage	V_{CEO}	$I_C=-1.0\text{mA}$ $I_B=0$	-50			V
Emitter to Base Breakdown Voltage	V_{EBO}	$I_E=-10\text{ A}$ $I_C=0$	-5.0			V
Collector Cut-Off Current	I_{CBO}	$V_{CB}=-50\text{V}$ $I_E=0$			-0.1	A
Emitter Cut-Off Current	I_{EBO}	$V_{EB}=-5.0\text{V}$ $I_C=0$			-0.1	A
DC Current Gain	h_{FE}	$V_{CE}=-6.0\text{V}$ $I_C=-2.0\text{mA}$	70		700	
Collector to Emitter Saturation Voltage	$V_{CE(sat)}$	$I_C=-100\text{mA}$ $I_B=-10\text{mA}$			-0.3	V
Transition Frequency	f_T	$V_{CE}=-10\text{V}$ $I_C=-1.0\text{mA}$	80			MHz
Collector Output Capacitance	C_{ob}	$V_{CB}=-10\text{V}$ $f=1.0\text{MHz}$ $I_E=0$		4.0	7.0	pF
Noise Figure	NF	$V_{CE}=-6.0\text{V}$ $f=1.0\text{KHz}$ $I_C=-0.1\text{mA}$ $R_g=10\text{K}$			10	dB

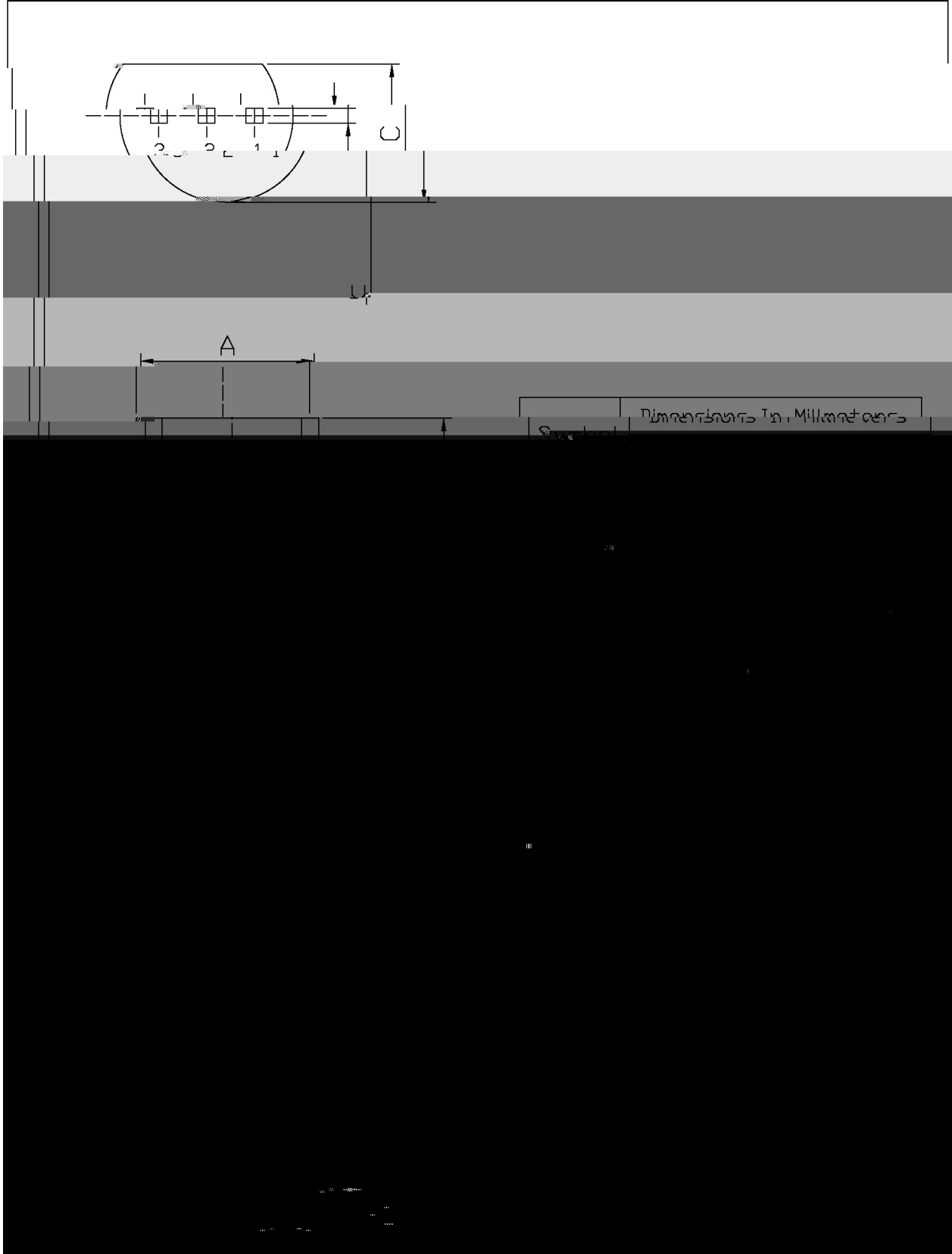
/ Electrical Characteristic Curve



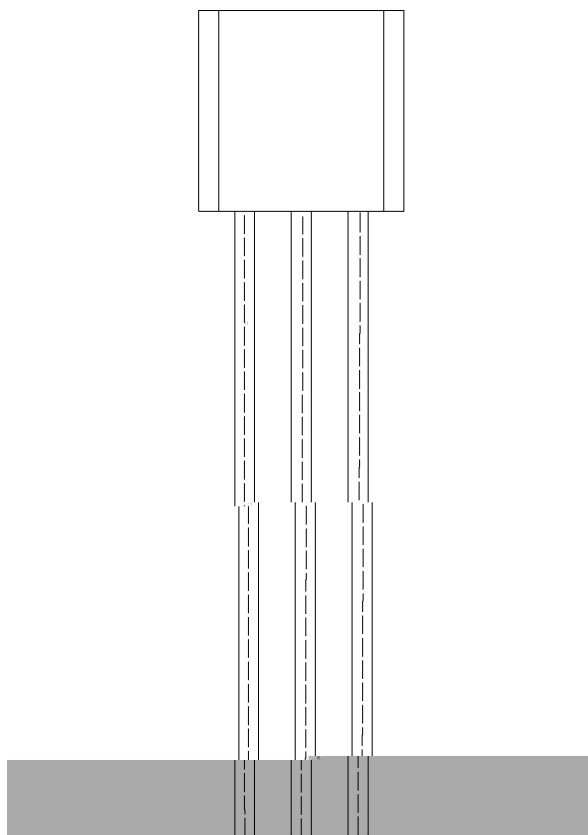
/ Package Dimensions

TO-92

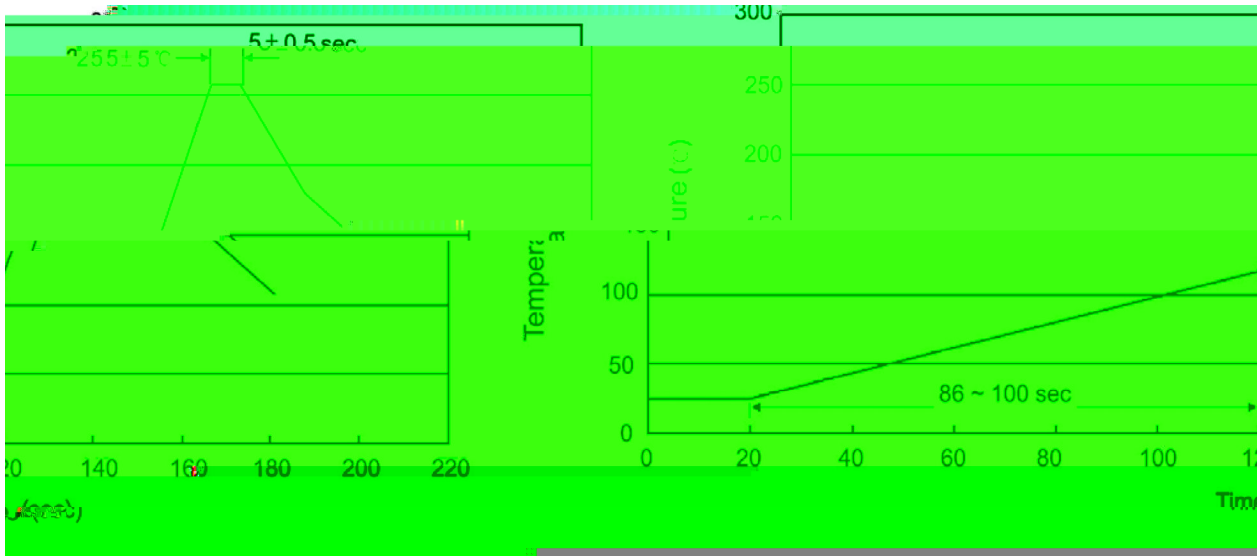
Unit: mm



/ Marking Instructions



() / Temperature Profile for Dip Soldering(Pb-Free)



Note:

- | | | | |
|---|----------|-------------|---|
| 1 | 25 ~ 150 | 60 ~ 90sec; | 1.Preheating:25~150 , Time:60~90sec. |
| 2 | 255±5 | 5±0.5sec; | 2.Peak Temp.:255±5 , Duration:5±0.5sec. |
| 3 | 2 ~ 10 | /sec. | 3. Cooling Speed: 2~10 /sec. |

/ Resistance to Soldering Heat Test Conditions

270±5 10±1 sec. Temp:270±5 Time:10±1 sec

/ Packaging SPEC.

/ BULK

Package Type 封装形式	Units 包装数量					Dimension 包装尺寸 (unit: mm3)		
	只袋	袋盒	只盒	盒箱	只箱	袋	盒	箱

/ AMMO

Package Type 封装形式	Units 包装数量					Dimension 包装尺寸 (unit: mm3)	
	只纸带	纸带盒	纸带层盒	盒箱	只箱	盒	箱
						小箱	大箱

/ Notices