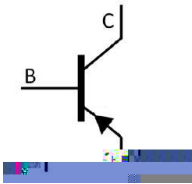


KF \$0) CD GE G` Silicon PNP transistor in a TO-92LM Plastic Package.

*' * , N)J: (-) . 8
Driver stage of 30 to 35 watts application, complementary pair with 2SC1627A.

Driver stage amplifier and voltage amplifier.



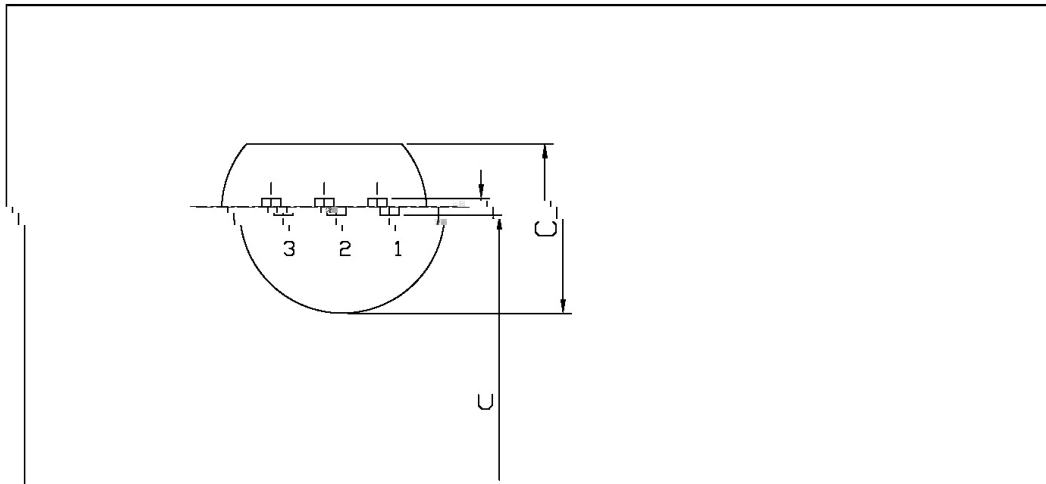
PIN 1 Base PIN 2 Collector PIN 3 Emitter

2SA817A

/ Package Dimensions

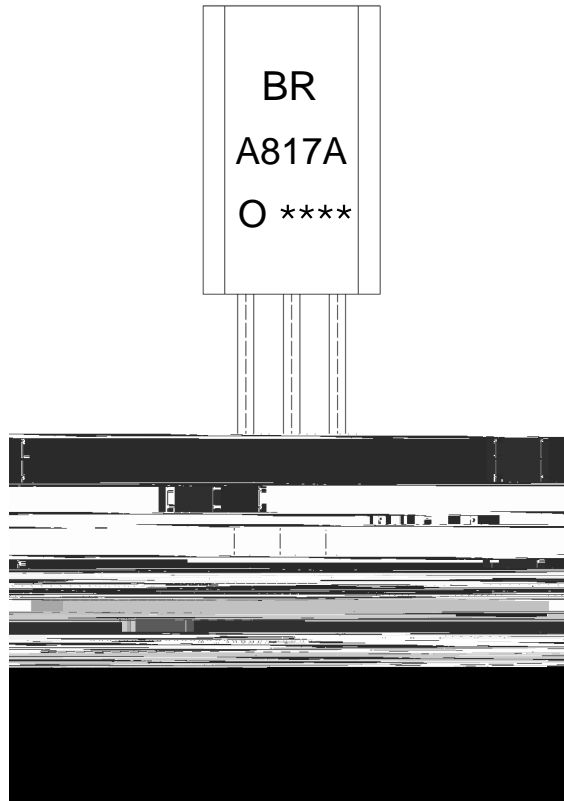
TO-92LM

Unit: mm



Symbol	Dimensions In Millimeters	
	Min	Max
A	4.47	5.1
B	5.2	5.7
C	0.9	1.0
U	0.5	0.6

/ Marking Instructions



9| 1

8/ (. 8

F 1

!!!!

Note:

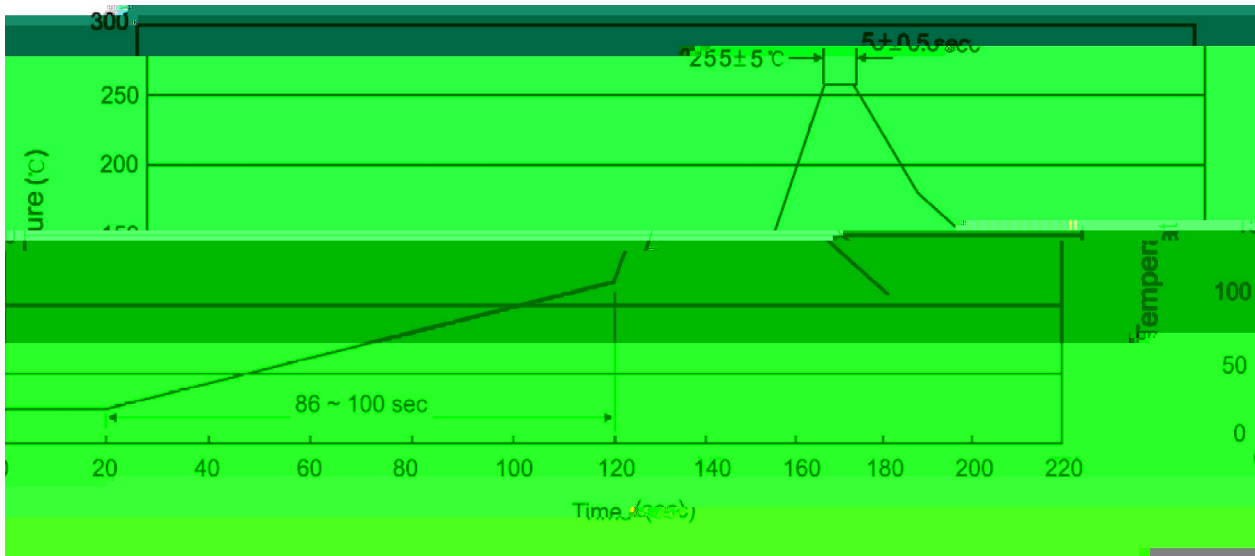
BR: Company Code.

A817A: Product Type.

O: h_{FE} Classifications Symbol

****: Lot No. Code, code change with Lot No.

() / Temperature Profile for Dip Soldering(Pb-Free)



Note:

- | | | | | | |
|---|--------|-----|------------|----------|---|
| 1 | 25 | 150 | 60 | 90sec; | 1.Preheating:25~150 , Time:60~90sec. |
| 2 | 255..5 | | 5..0.5sec; | | 2.Peak Temp.:255..5 , Duration:5..0.5sec. |
| 3 | | | 2 | 10 /sec. | 3. Cooling Speed: 2~10 /sec. |

/ Resistance to Soldering Heat Test Conditions

270..5 10..1 sec. Temp.:270..5 Time:10..1 sec

•