

/ Descriptions

Silicon PNP transistor in a TO-92LM Plastic Package.

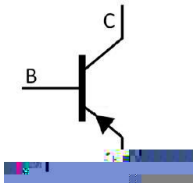
/ Features

High collector dissipation, low saturation voltage, complementary pair with 2SC2060.

/ Applications

1 2W output circuits.

/ Equivalent Circuit



/ Pinning



PIN1 Base PIN 2 Collector PIN 3 Emitter

/ h_{FE} Classifications & Marking

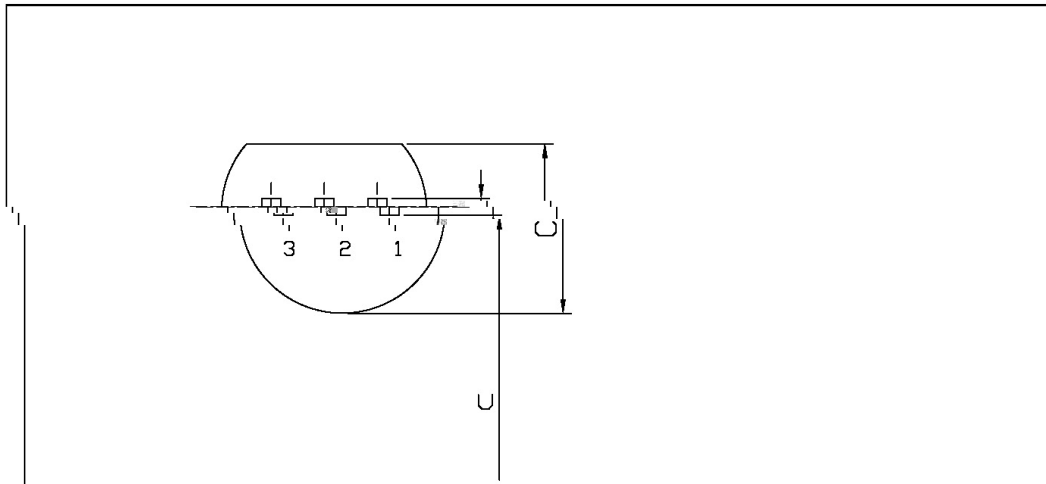
h_{FE} Classifications Symbol	P	Q	R
h_{FE} Range	82~180	120~270	180~390

|

/ Package Dimensions

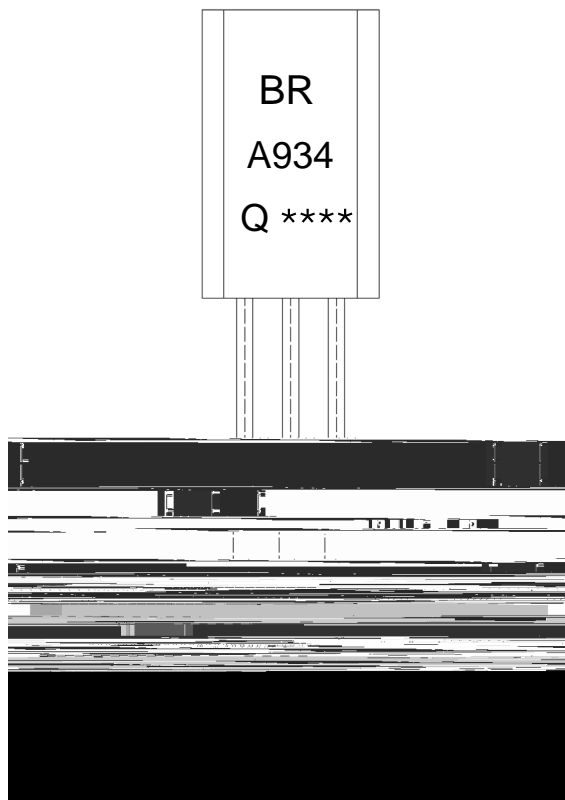
TO-92LM

Unit: mm



Symbol	Dimensions In Millimeters	
	Min	Max
A	4.47	5.1
C	4.47	5.1
U	1.78	2.14
E	0.25	0.38
E1	0.25	0.38

/ Marking Instructions



Note:

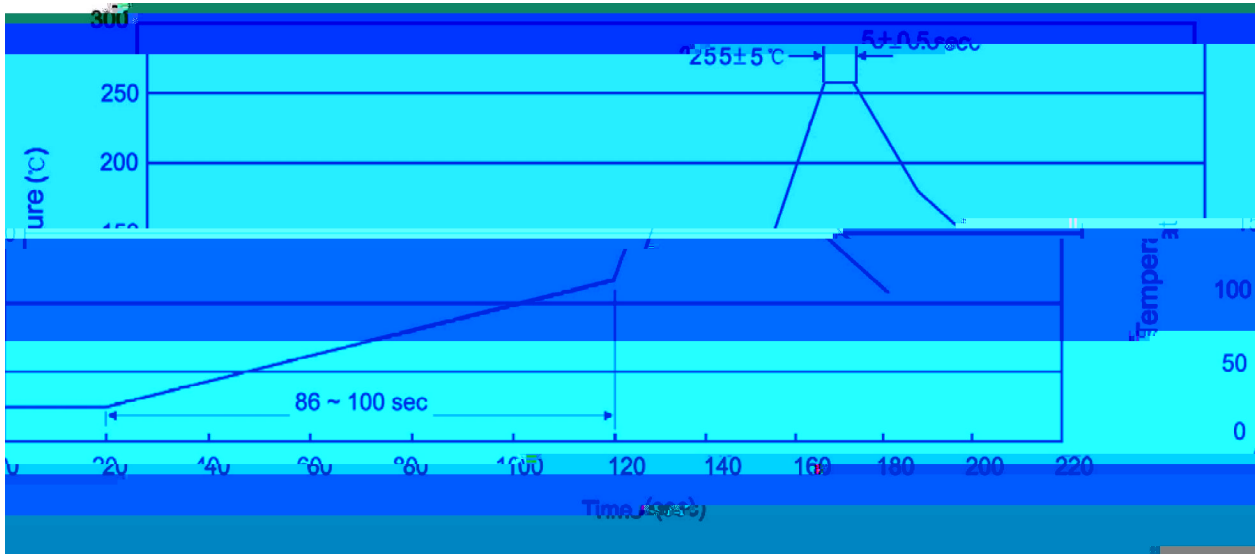
BR: Company Code.

A934: Product Type.

Q: h_{FE} Classifications Symbol

****: Lot No. Code, code change with Lot No.

() / Temperature Profile for Dip Soldering(Pb-Free)



Note:

- | | | | | | |
|---|-----|-----|----|----------|---|
| 1 | 25 | 150 | 60 | 90sec; | 1.Preheating:25~150 , Time:60~90sec. |
| 2 | 255 | 5 | 5 | 0.5sec; | 2.Peak Temp.:255 5 , Duration:5 0.5sec. |
| 3 | | | 2 | 10 /sec. | 3. Cooling Speed: 2~10 /sec. |

/ Resistance to Soldering Heat Test Conditions

270 5 10 1 sec. Temp.:270 5 Time:10 1 sec

/ Packaging SPEC.

/ BULK

Package Type	Units	Dimension	(unit mm3)
--------------	-------	-----------	------------