

3CG5610

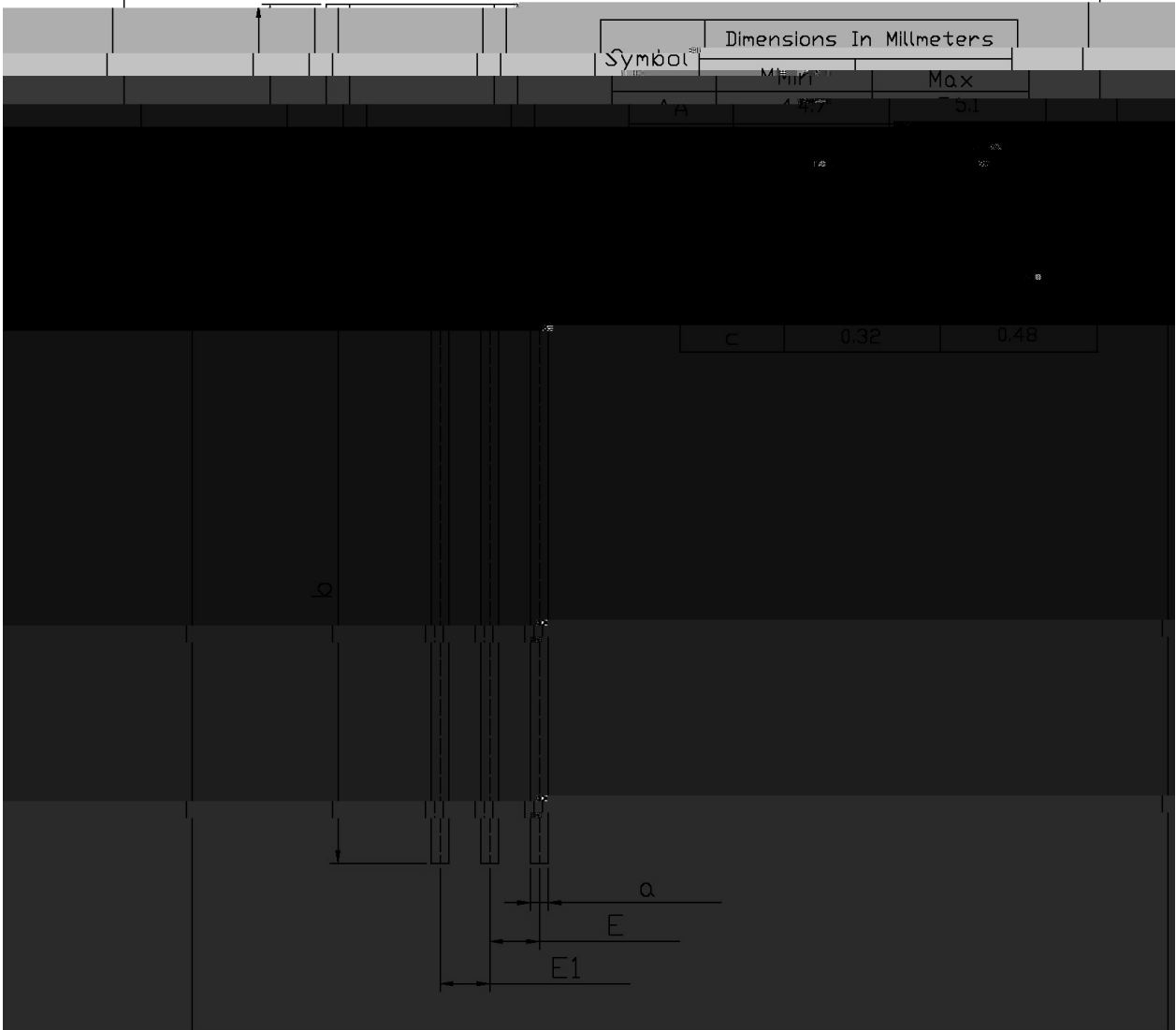
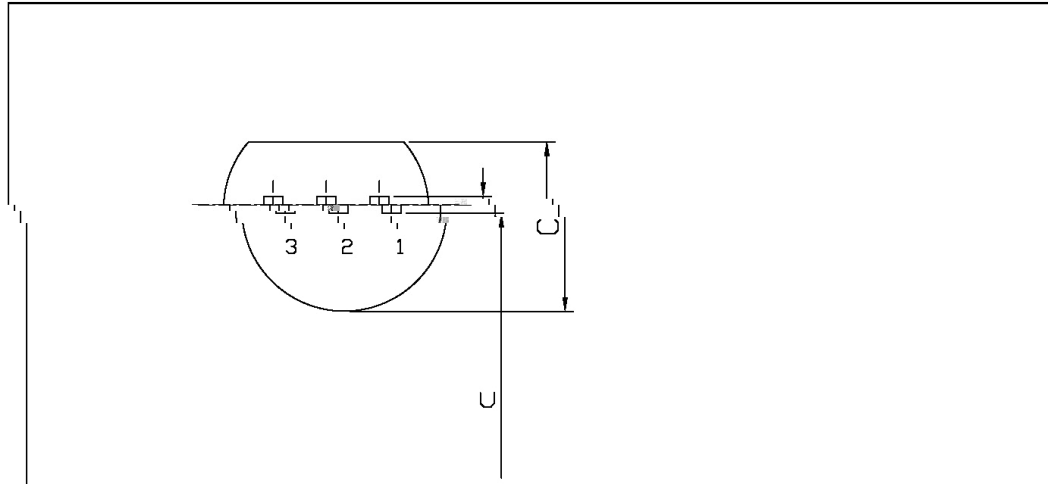
DATA SHEET

3CG5610

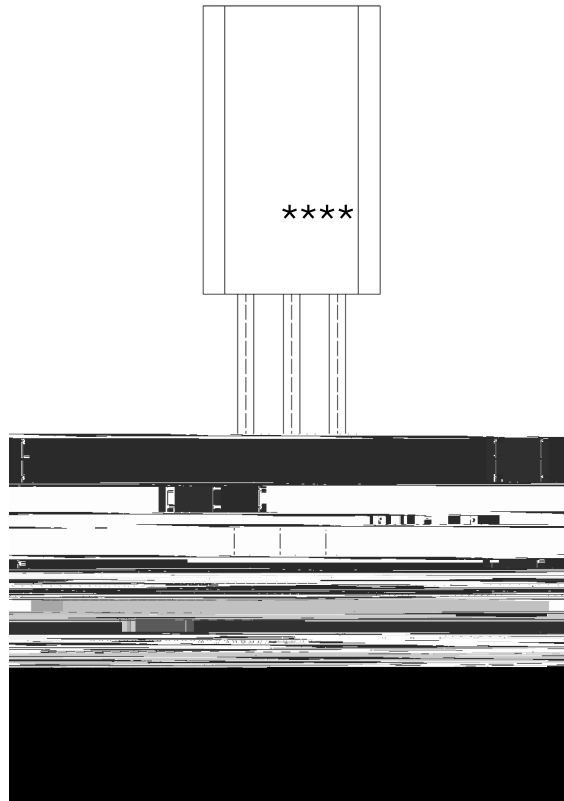
/ Package Dimensions

TO-92LM

Unit: mm

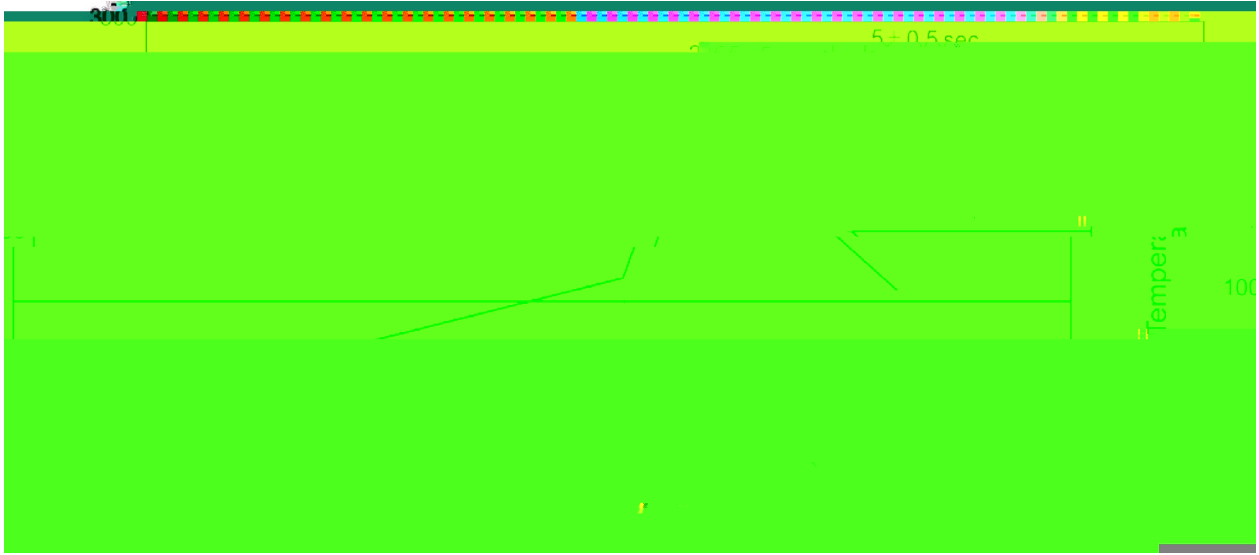


/ Marking Instructions



9| 1
- ('
: 1
!!!

() / Temperature Profile for Dip Soldering(Pb-Free)



... ..

/ Resistance to Soldering Heat Test Conditions

... ..

/ Packaging SPEC.

						Bag	Inner Box	Outer Box
	Units/Bag	Bags/Inner Box	Units/Inner Box	Inner Boxes/Outer Box	Units/Outer Box			
TO-92LM	1,000	8	8,000	5	40,000	135×190	237×172×102	560×245×195

						Inner Box	Outer Box
	Units/tape	Tape/Inner Box	Rows/Inner Box	Inner Boxes/Outer Box	Units/Outer Box		
TO-92LM	2,500	1	100	10	25,000	328×230×42	480×346×235 547×407×268 2,500-92LM