

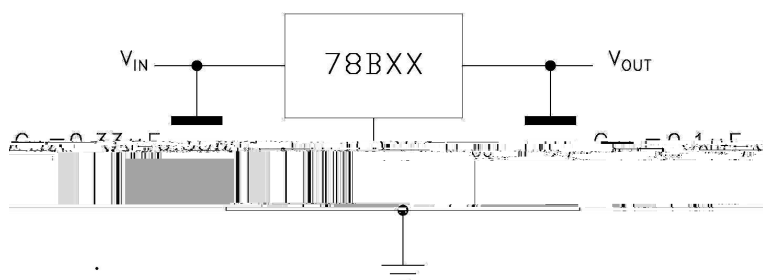
/ Descriptions

/ Features

1.5A,

/ Applications

/ / Equivalent Circuit or Application Circuit

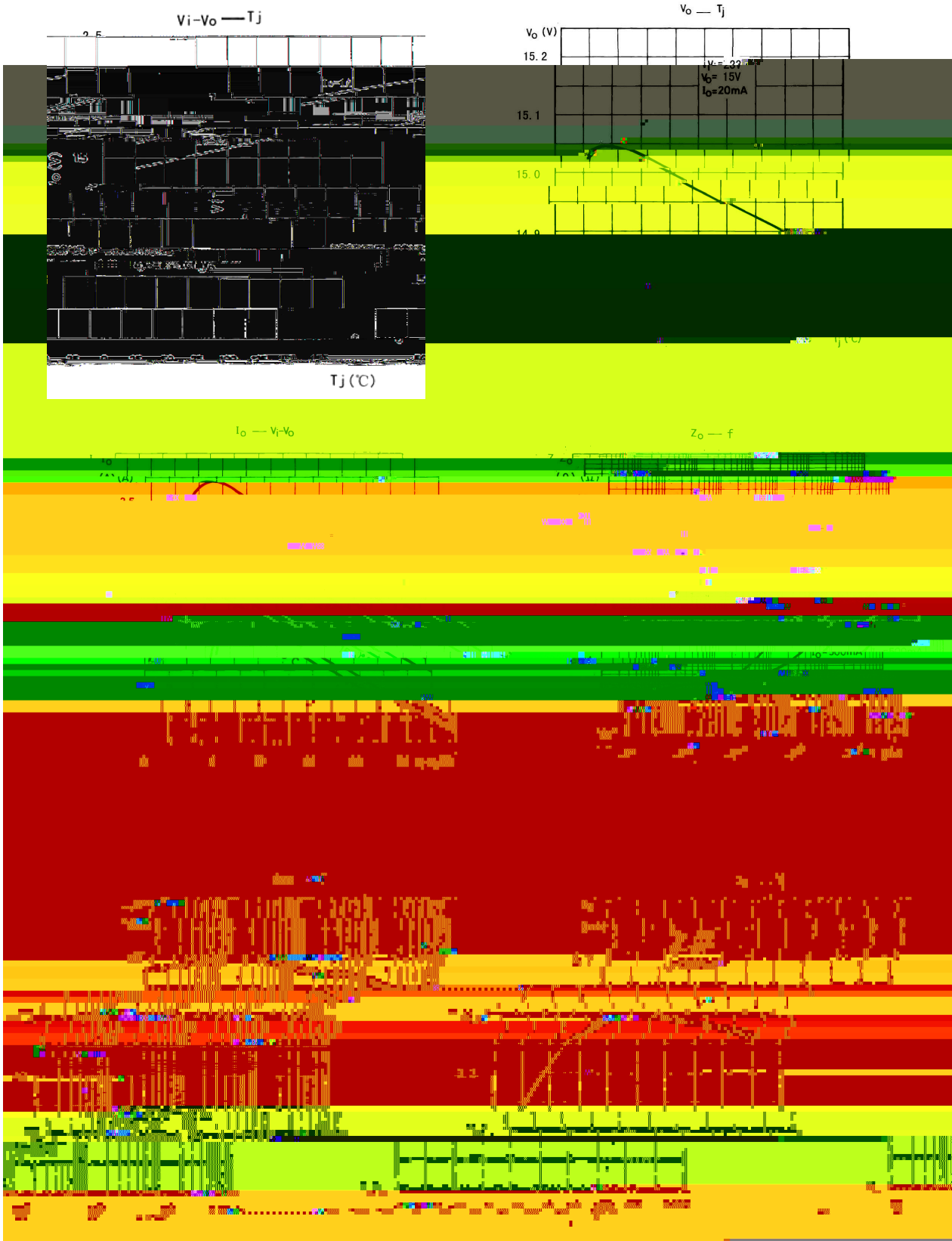


/ Pinning

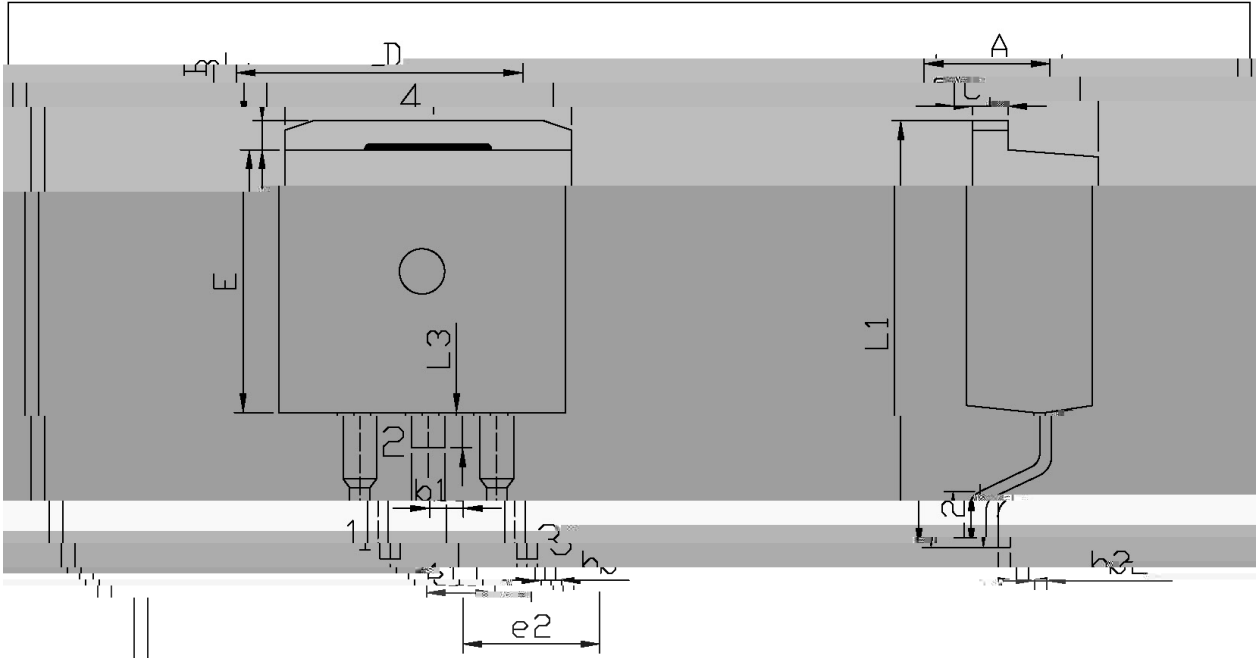


/ Marking

/ Electrical Characteristic Curve



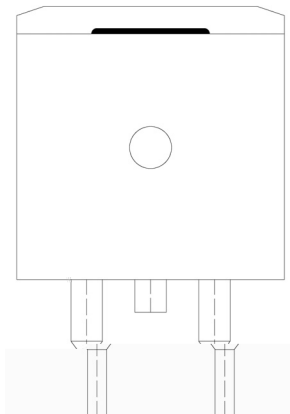
/ Package Dimensions



單位: mm

Dimensions in Millimeters		Dimensions in Millimeters		Dimensions in Millimeters		
Max	Min	Max	Min	Max	Min	
9.40		A	4.30	4.70	E	9.00
2.74		B	1.00	1.40	e1	2.54

/ Marking Instructions



BR

78B15

() / Temperature Profile for IR Reflow Soldering(Pb-Free)

