

BC636

Rev.E Mar.-2016

/ Descriptions

TO-92 PNP Silicon PNP transistor in a TO-92 Plastic Package.

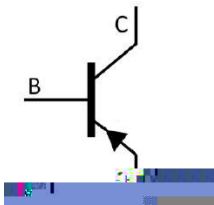
/ Features

High current, Low voltage.

/ Applications

Driver stages of audio or video amplifiers applications.

/ Equivalent Circuit



/ Pinning



PIN1 Base PIN 2 Collector PIN 3 Emitter

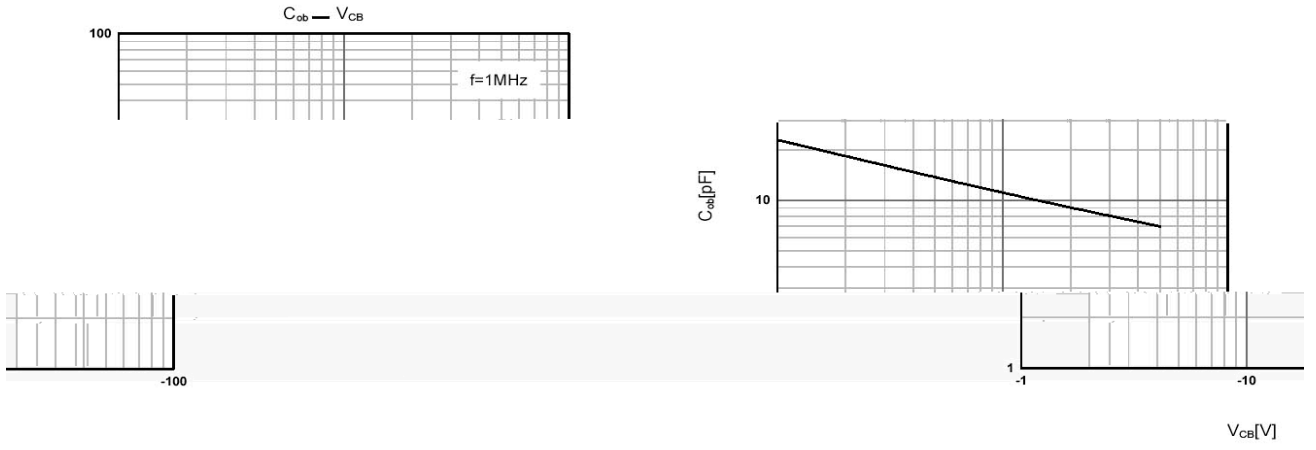
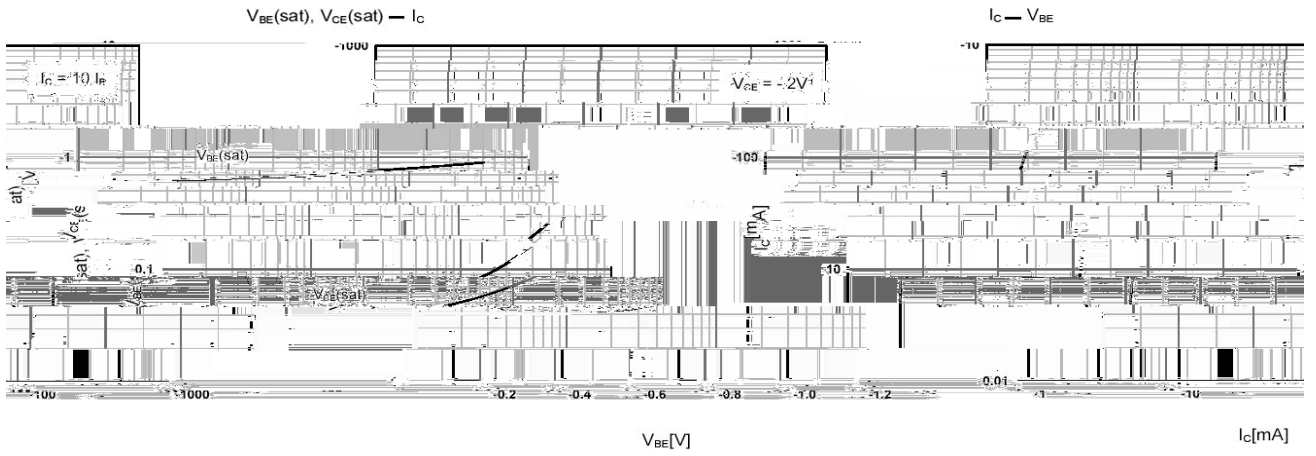
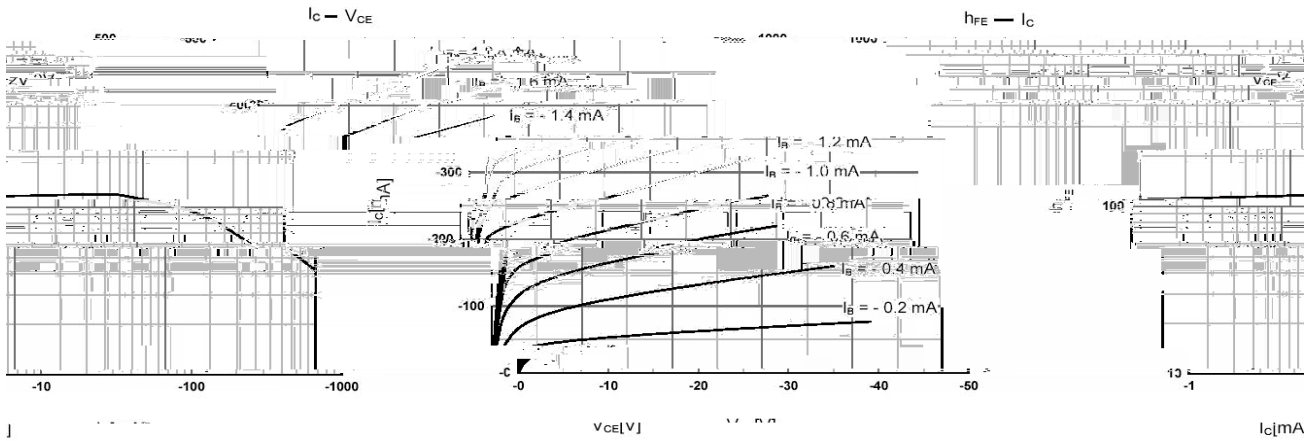
/ hFE Classifications & Marking

h _{FE} Classifications Symbol	10	16
h _{FE} Range	63~160	100~250

Parameter	Symbol	Rating	Unit
Collector to Base Voltage	V_{CBO}	-45	V
Collector to Emitter Voltage	V_{CEO}	-45	V
Emitter to Base Voltage	V_{EBO}	-5	V
Collector Current - Continuous	I_C	-1	A
Peak Collector Current	I_{CM}	-1.5	A
Peak Base Current	I_{BM}	-200	mA
Total Power Dissipation	P_{tot}	0.83	W
Junction Temperature	T_j	150	
Storage Temperature Range	T_{stg}	-55 150	

Parameter	Symbol	Test Conditions	Min	Typ	Max	Unit
Collector Cut-Off Current	I_{CBO}	$V_{CB}=-30V$ $I_E=0$			-0.1	μA
Emitter Cut-Off Current	I_{EBO}	$V_{EB}=-5.0V$ $I_C=0$			-0.1	μA
DC Current Gain	$h_{FE(1)}$	$V_{CE}=-2.0V$ $I_C=-150mA$	63		250	
	$h_{FE(2)}$	$V_{CE}=-2.0V$ $I_C=-5mA$	40			
	$h_{FE(3)}$	$V_{CE}=-2.0V$ $I_C=-500mA$	25			

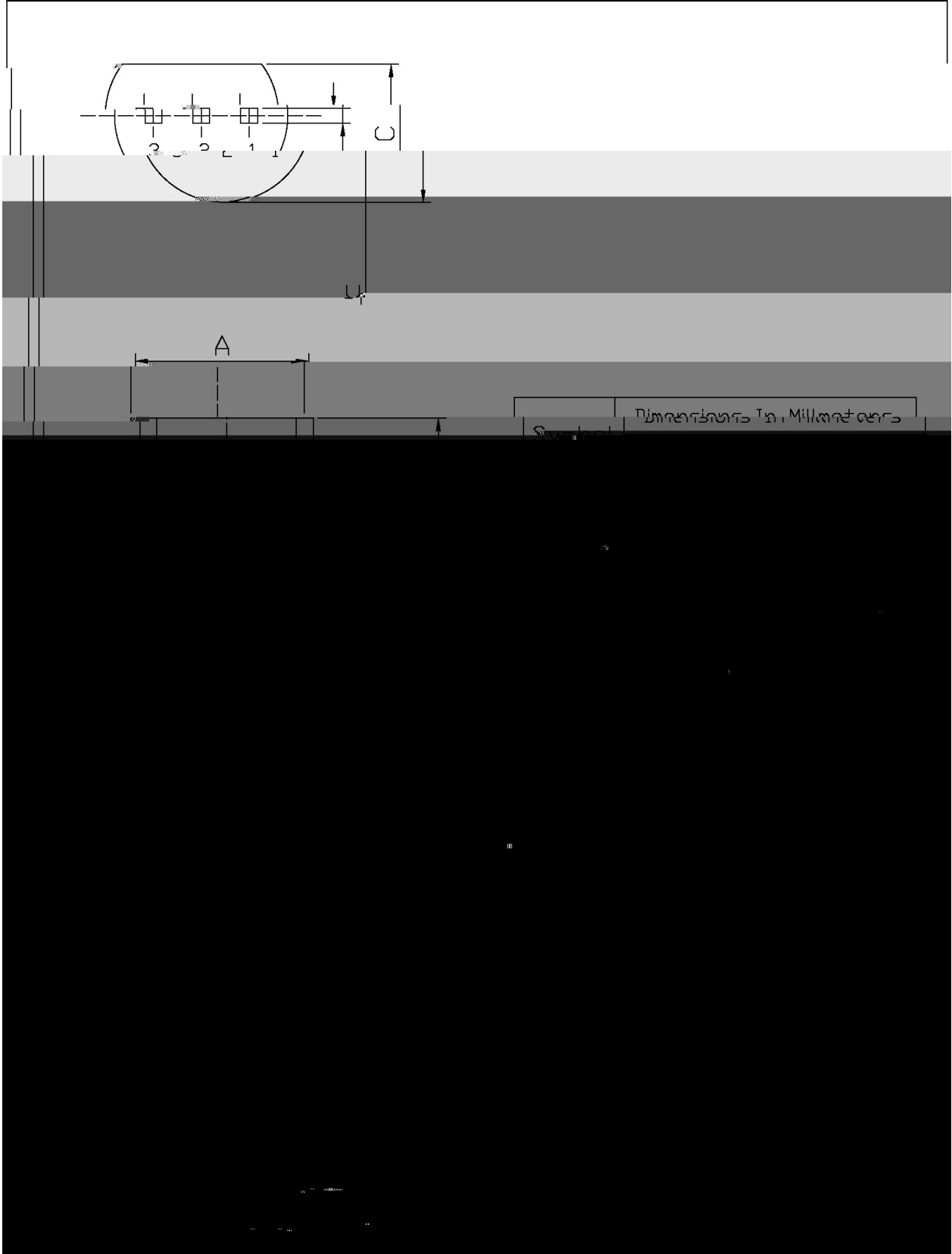
/ Electrical Characteristic Curve



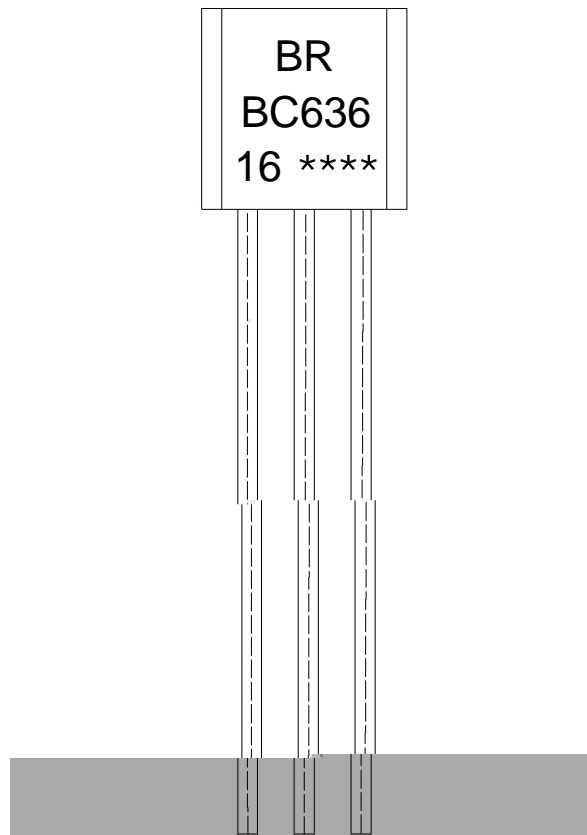
/ Package Dimensions

T0-92

Unit: mm



/ Marking Instructions



BR:

BC636

16: h_{FE}

Note:

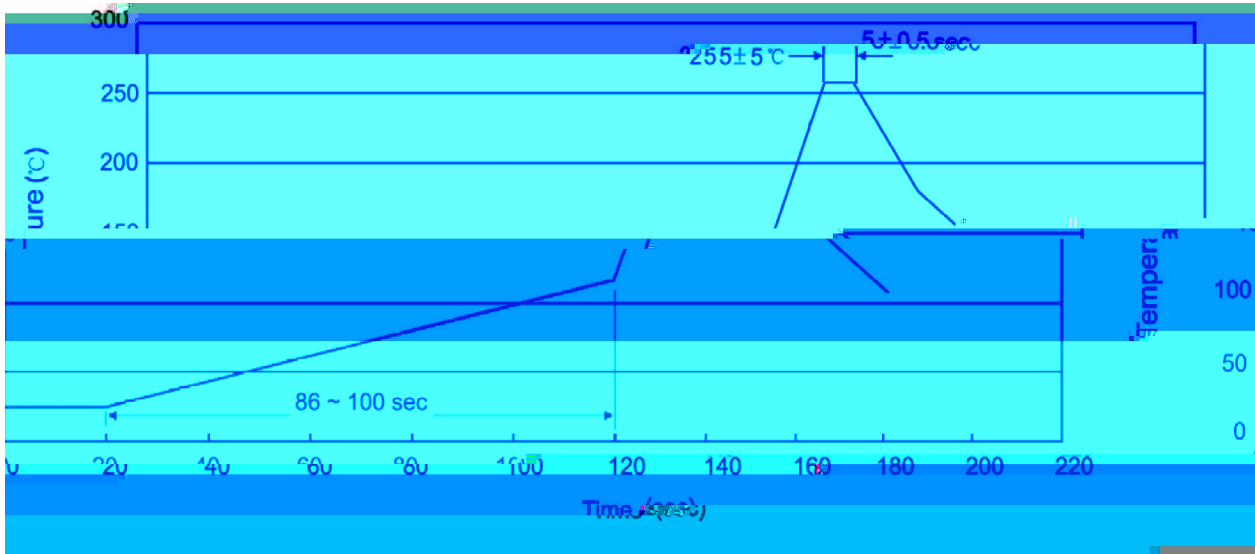
BR: Company Code.

BC636: Product Type.

16: h_{FE} Classifications Symbol

****: Lot No. Code, code change with Lot No.

() / Temperature Profile for Dip Soldering(Pb-Free)



Note:

- | | | | | | |
|---|-------|-----|-------|----------|--|
| 1 | 25 | 150 | 60 | 90sec; | 1. Preheating: 25~150 , Time: 60~90sec. |
| 2 | 255±5 | | 5±0.5 | sec; | 2. Peak Temp.: 255±5 , Duration: 5±0.5sec. |
| 3 | | | 2 | 10 /sec. | 3. Cooling Speed: 2~10 /sec. |

/ Resistance to Soldering Heat Test Conditions

270±5 10±1 sec. Temp: 270±5 Time: 10±1 sec

/ Packaging SPEC.

/ BULK

Package Type	Units				Dimension	(unit mm ³)
	Units/Bag	Bags/Inner Box	Units/Inner Box	Units/Inner Box		