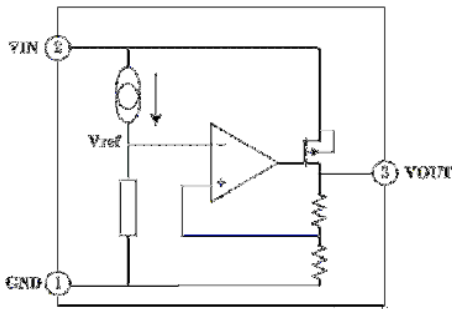


Low dropout linear regulator in a SOT-89 Plastic Package .

Low power consumption,Low voltage drop,Small temperature drift coefficient,High input voltage up to 30V,The static current 2.5 A,The output voltage accuracy .HF Product.

For use in power equipment,Communication equipment,Audio and video equipment.



PIN1 GND PIN 2 VIN PIN 3 VOUT

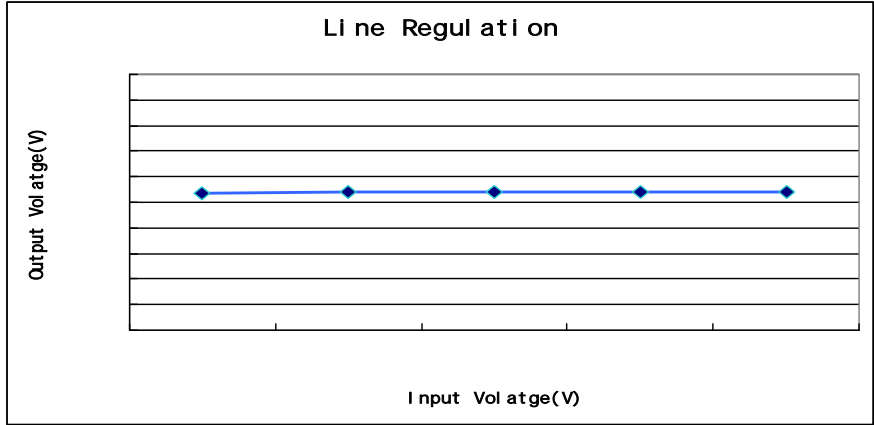
/ Marking3

See MarkinM e

BRCO7533T

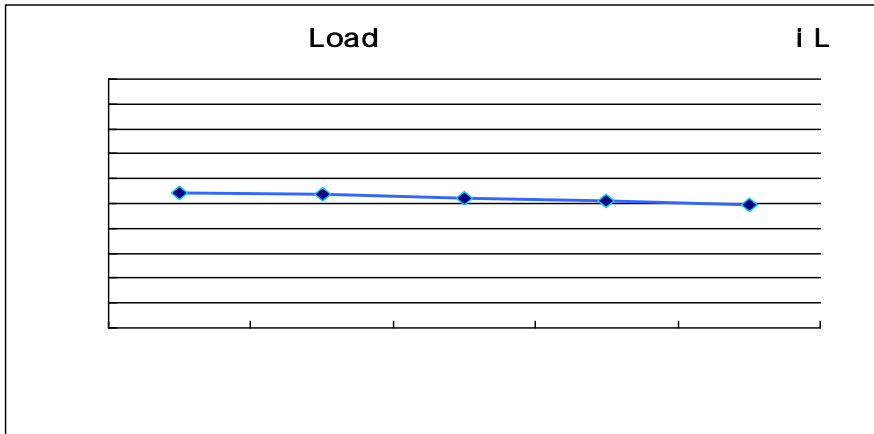
/ Electrical Characteristic Curve

/ The input voltage and output voltage



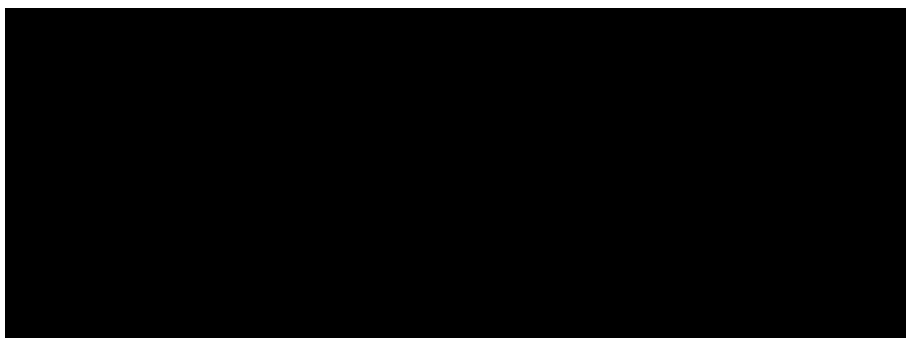
$I_{OUT}=10mA$

/ The output voltage and load current

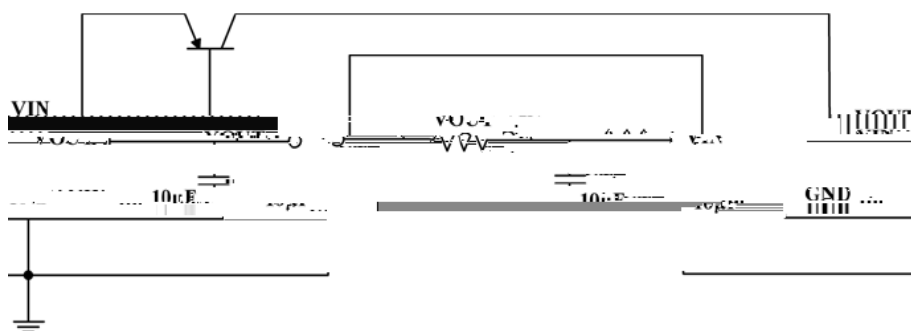


/ Typical Application Circuit

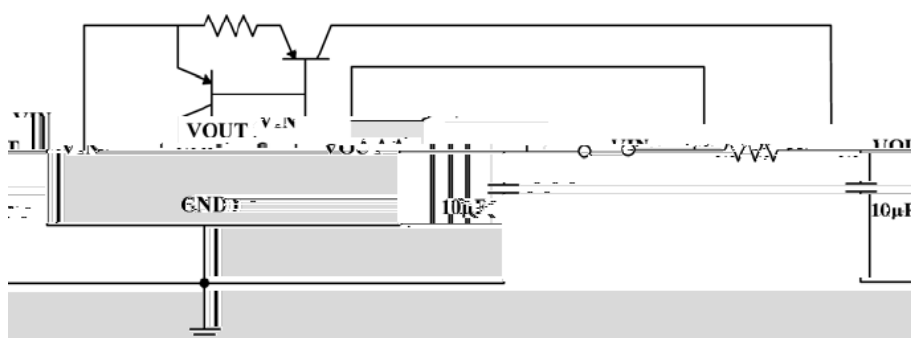
/ Basic Application



/ High Output Current Voltage Regulator

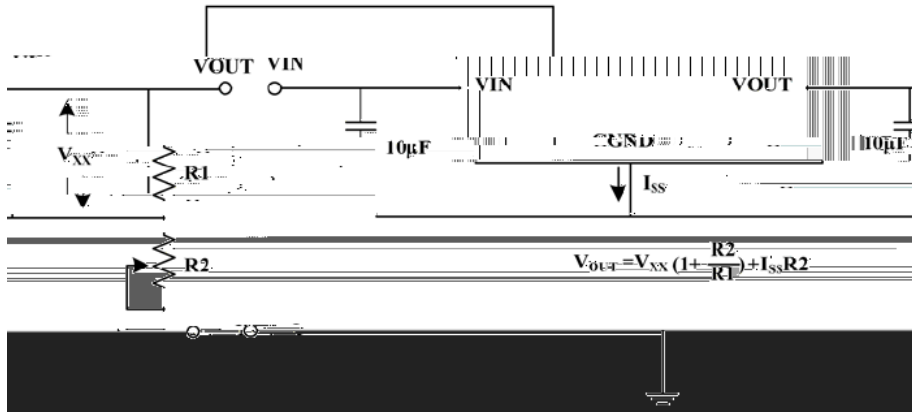


/ Short-Circuit Protection

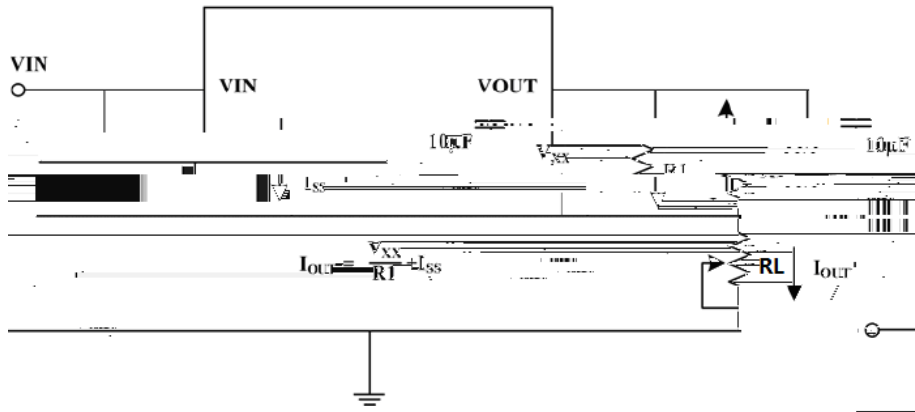


/ Typical Application Circuit

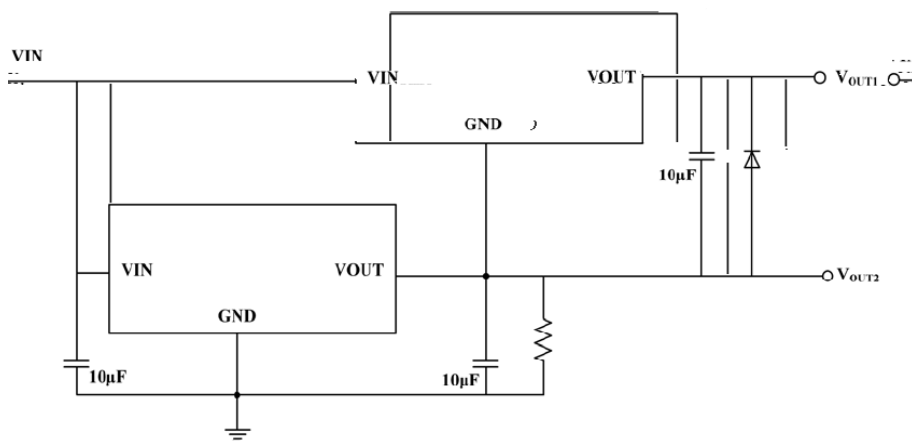
/ Circuit for Increasing Output Voltage



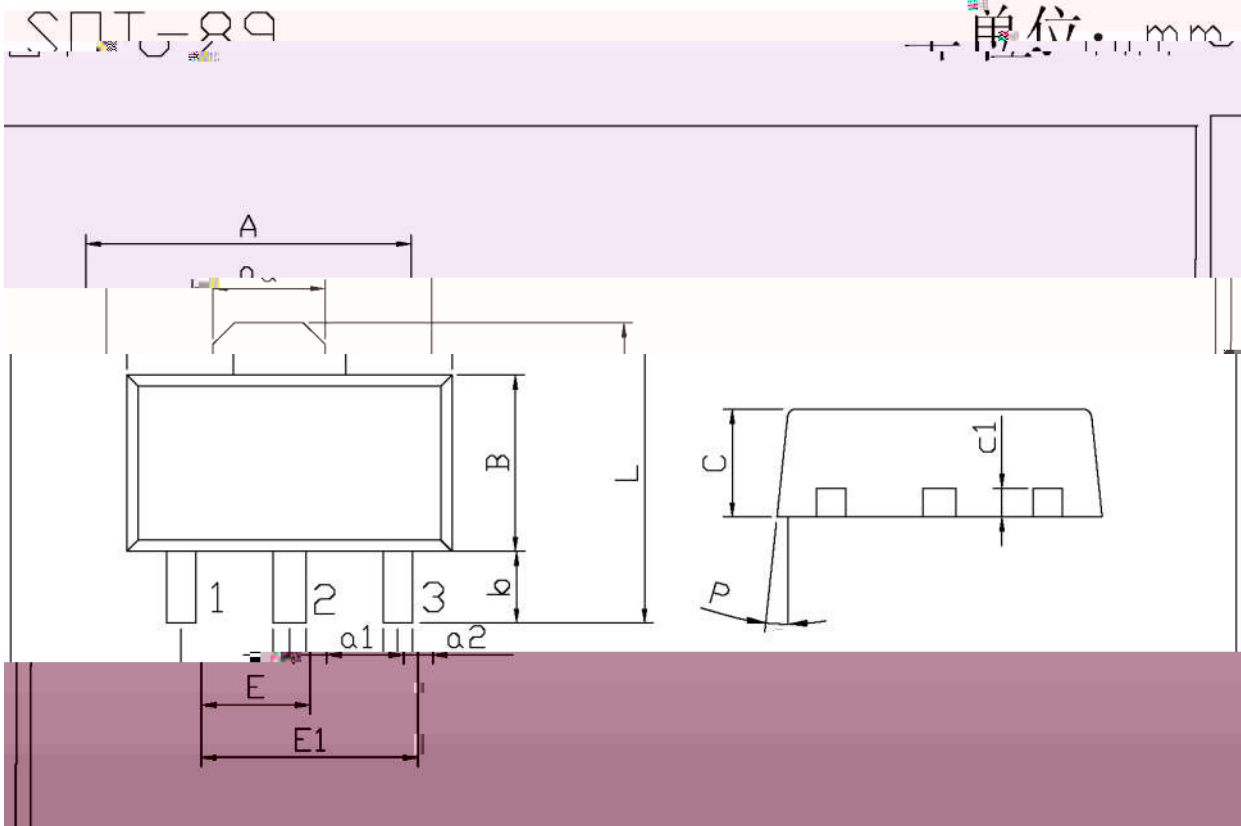
/ Constant Current Regulator



/ Double Output Circuit



/ Package Dimensions



Symbol	Dimensions In Millimeters		Symbol	Dimensions In Millimeters	
	Min	Max		Min	Max
A	4.4	4.7	a1	0.36	0.56

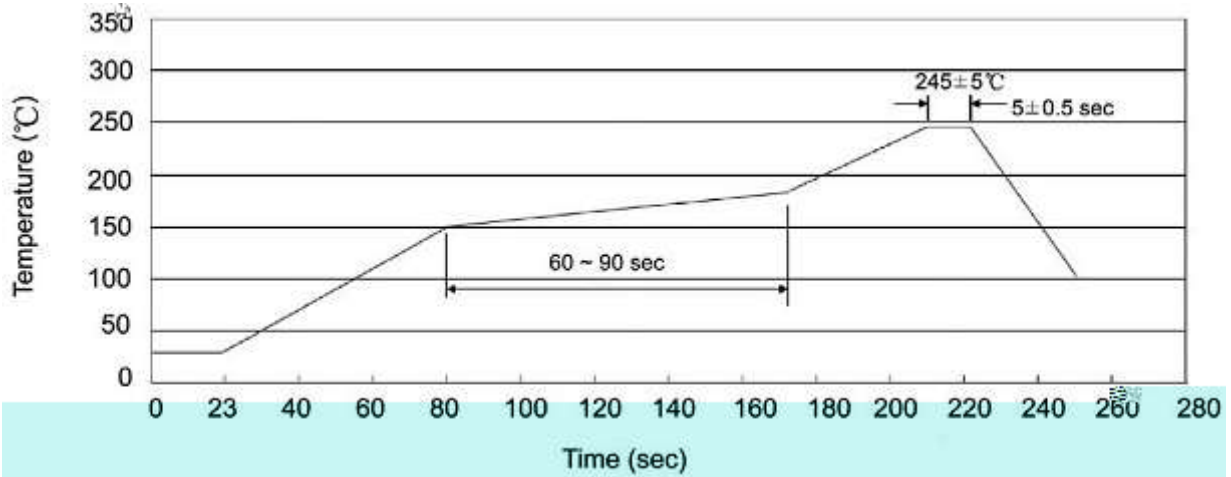
a	1.45	1.55	c1	0.35	0.50
L	1.40	1.60	P	6°	
E	2.80	3.20			
φ	0.80	1.20			

BRC07533T
Rev.F Apr.-2021



/ Marking Instructions

() / Temperature Profile for IR Reflow Soldering(Pb-Free)



Note:

- | | | | | | |
|---|-----|-----|----|---------|---|
| 1 | 25 | 150 | 60 | 90sec; | 1.Preheating:25~150 , Time:60~90sec. |
| 2 | 245 | 5 | 5 | 0.5sec; | 2.Peak Temp.:245 5 , Duration:5 0.5sec. |
| 3 | | 2 | 10 | /sec. | 3. Cooling Speed: 2~10 /sec. |

/ Resistance to Soldering Heat Test Conditions

260 5 10 1 sec. Temp.:260±5 Time:10±1 sec

/ Packaging SPEC.

/ REEL

Package Type 封装形式	Units 包装数量					Dimension 包装尺寸 (unit: mm)		
	Units/Reel 只/卷盘	Reels/Inner Box 卷盘/盒	Units/Inner Box 只/盒	Inner Boxes/Outer Box 盒/箱	Units/Outer Box 只/箱	Reel	Inner Box 盒	Outer Box 箱
SOT-89	1,000	7	7,000	8	56,000	7" x12	180x120x180	385x257x392

/ Notices