

Low dropout linear regulator in a SOT-89 Plastic Package.

015

±

BRCO7550RTA

Rev.A May.-2022

DATA SHEET

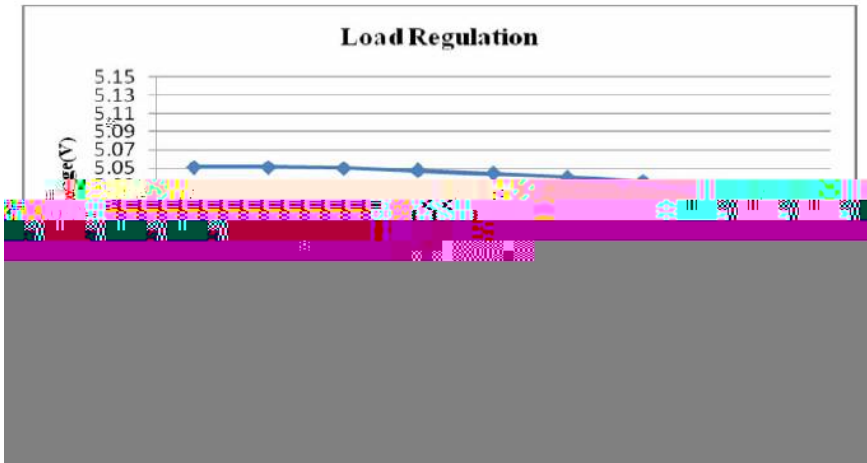
/ Electrical Characteristic Curve

i / The input voltage and output voltage



$I_{OUT}=10mA$ I_{OUT}

i / The output voltage and load current

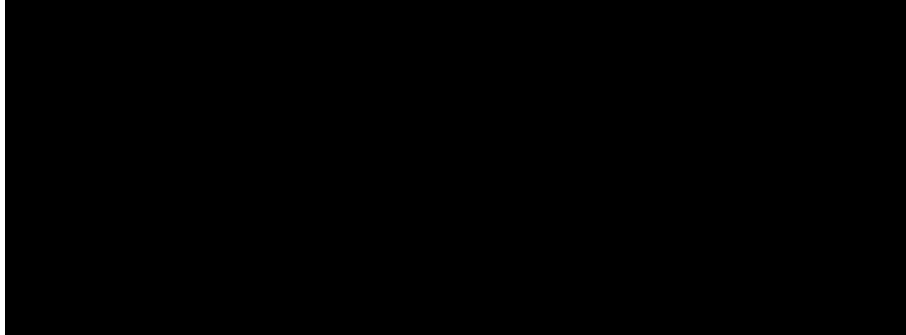


$V_{IN}=7.0V$

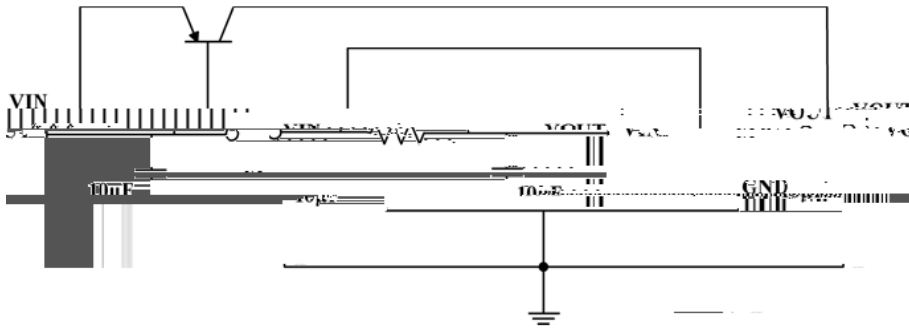
i / The output voltage and temperature

/ Typical Application Circuit

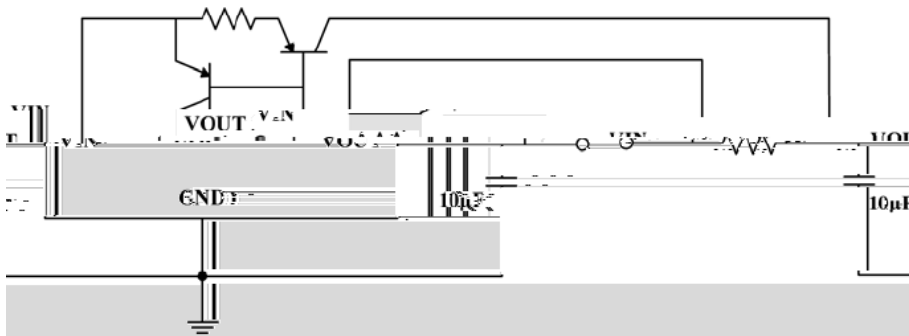
Đ / Basic Application



œ Ñ / High Output Current Voltage Regulator

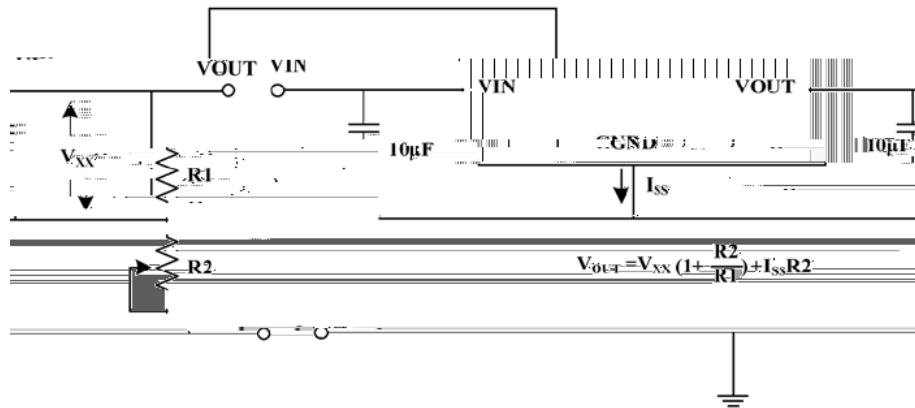


ò ó ô õ Đ / Short-Circuit Protection

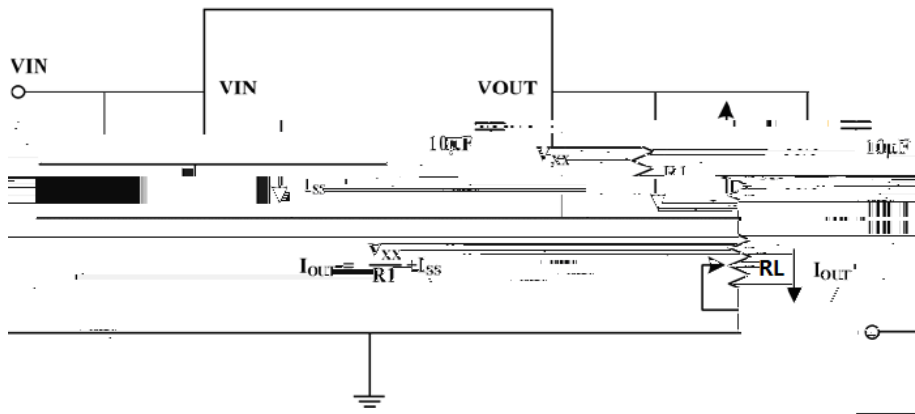


/ Typical Application Circuit

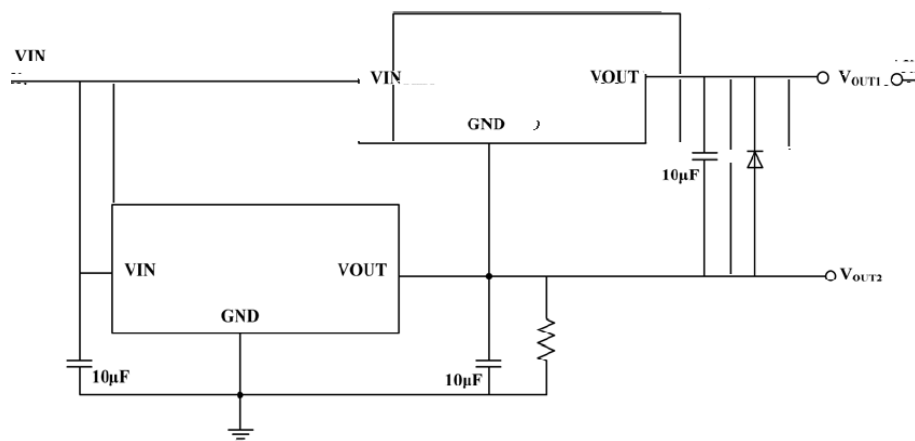
Ó / Circuit for Increasing Output Voltage



Ñ Ó / Constant Current Regulator

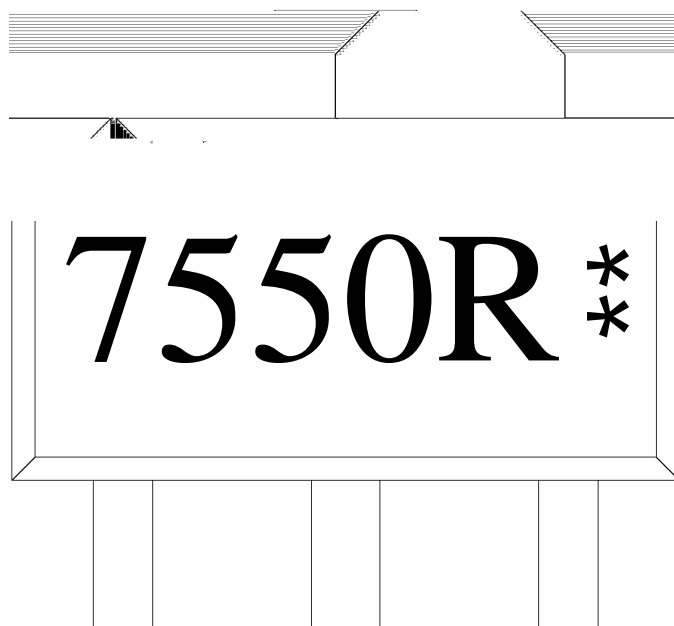


Ö Ó / Double Output Circuit





/ Marking Instructions



...†

7550R Ç ^ ×

** Ø Û ^ × Ú Ø Û ^ Ú Ú

Note:

7550R: Product Type

** : Lot No. Code, code change with Lot No



() / **Temperature Profile for IR Reflow Soldering(Pb-Free)**

- | | | | | | | |
|---|-------|-----|-----------|--------|-------|--|
| 1 | 150 | 180 | 60 | 90sec; | Note: | 1.Preheating:150~180°C, Time:60~90sec. |
| 2 | 245±5 | | 5±0.5sec; | | | 2.Peak Temp.:245±5°C, Duration:5±0.5sec. |
| 3 | | 2 | 10°C/sec. | | | 3. Cooling Speed: 2~10°C/sec. |

/ **Resistance to Soldering Heat Test Con**