

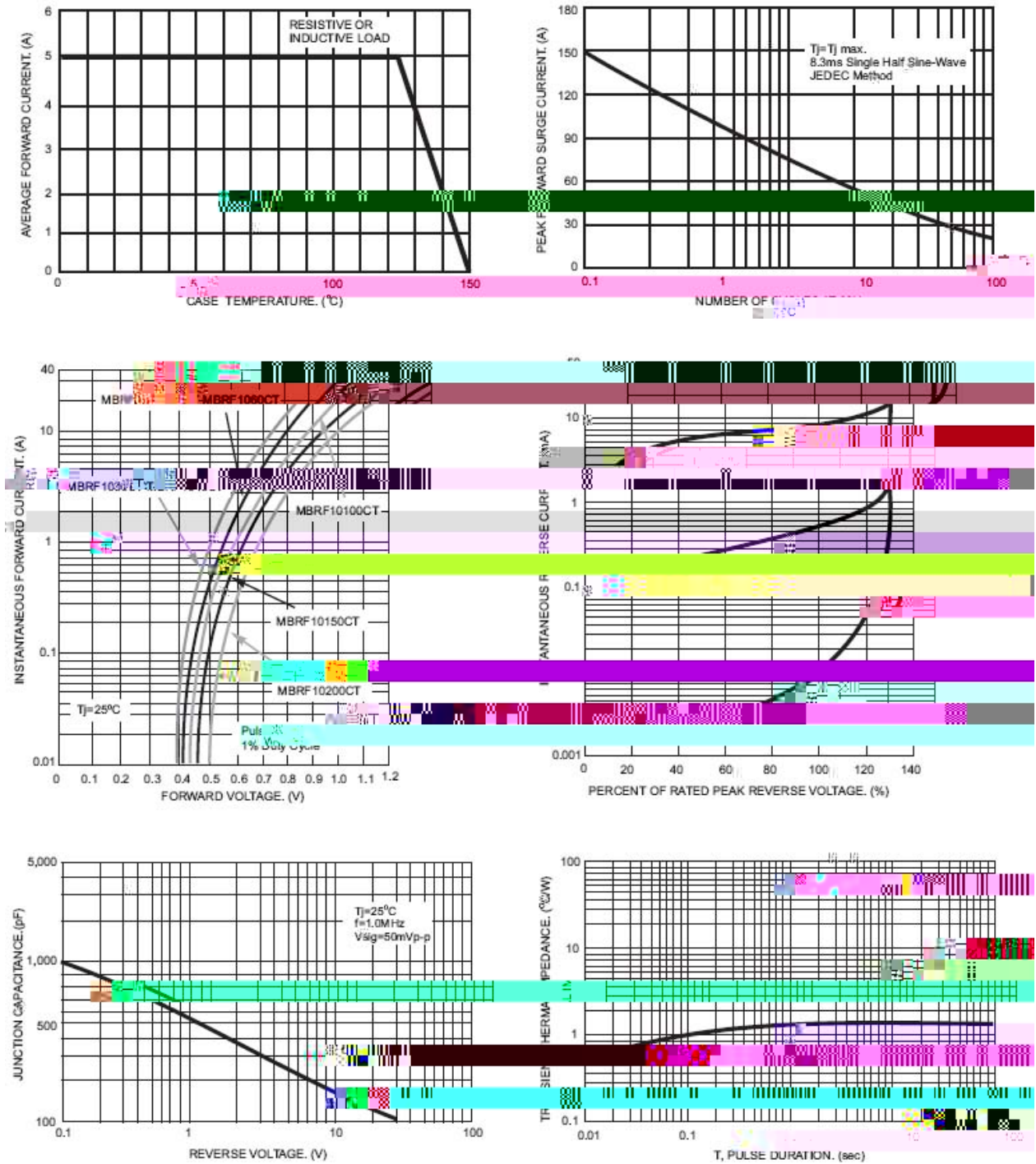
**BRMBR10200AC**

**DATA SHEET**

/ Absolute Maximum Ratings(Ta=25 )


/ Electrical Characteristics(Ta=25 )

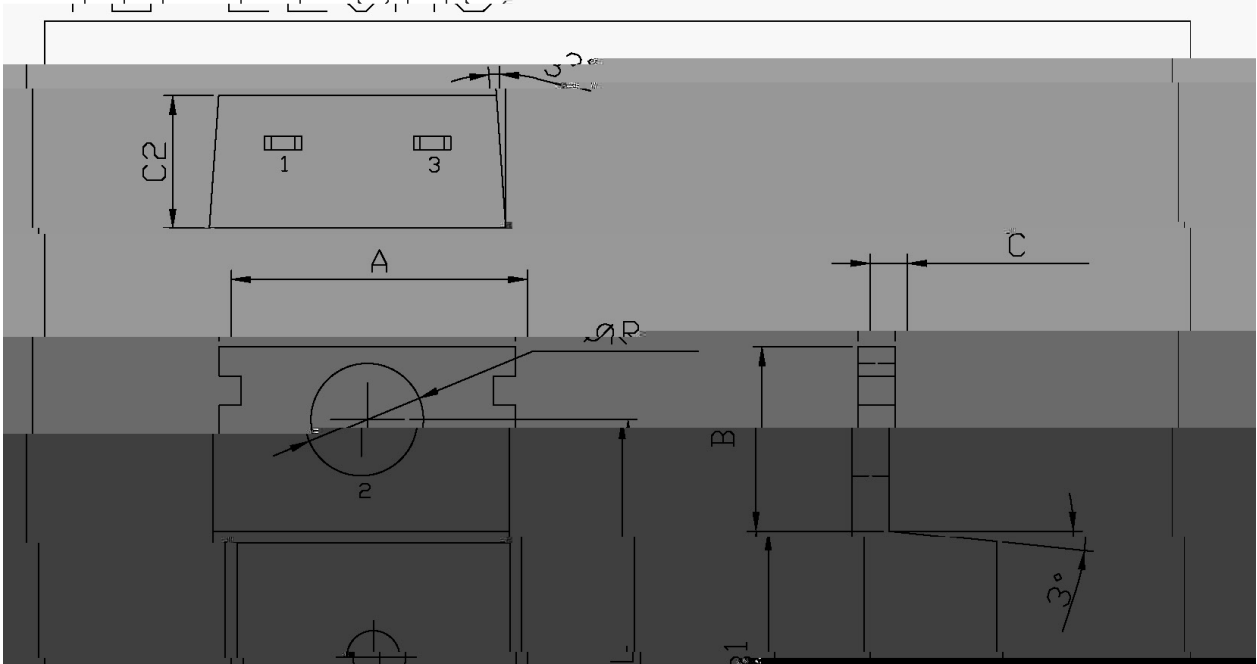

/ Electrical Characteristic Curve



/ Package Dimensions

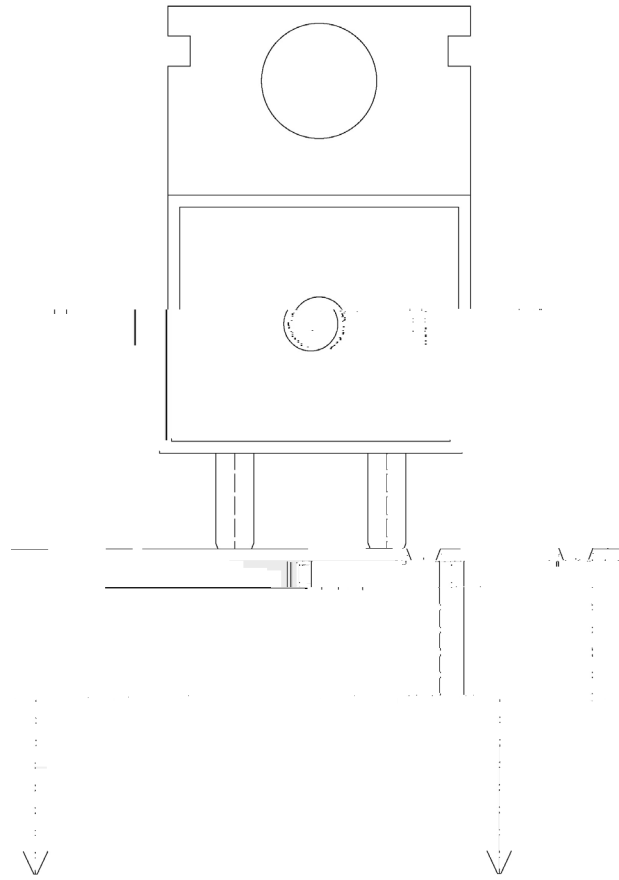
TD-220AC

Unit:mm



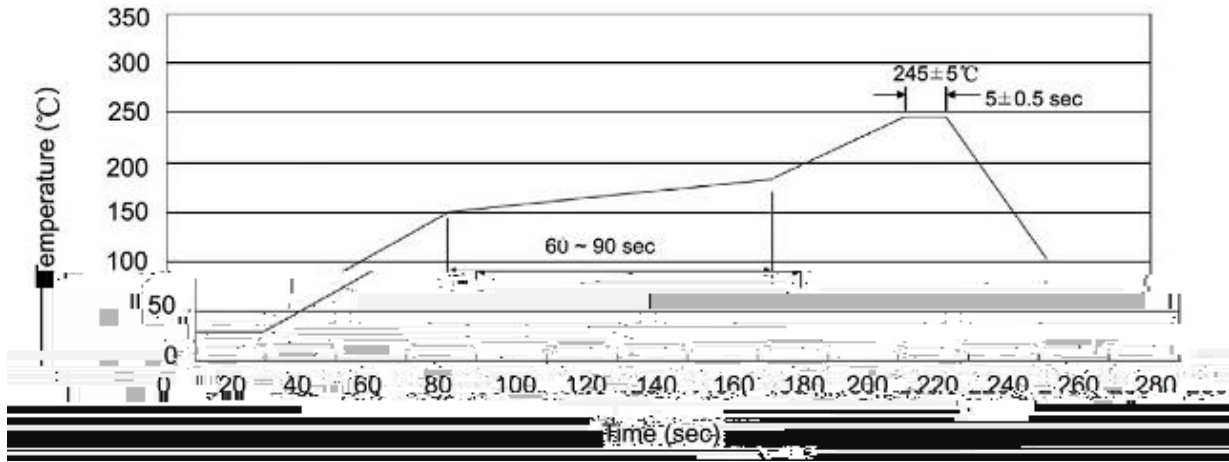
L	15.7	16.1	C1	2.2	2.6
b	12.6	13.6	C	1.2	1.4
b1	8.6	10.6	C	0.4	0.6

/ Marking Instructions



BR  
MBR10200  
\*\*\*\*

( ) / Temperature Profile for Dip Soldering(Pb-Free)



± ± ± ±

/ Resistance to Soldering Heat Test Conditions

± ±

/ Packaging SPEC.

						Bag	Inner Box	Outer Box
	Units/Bag /	Bags/Inner Box /	Units/Inner Box /	Inner Boxes/Outer Box /	Units/Outer Box /			
TO-220/F/AC	200	10	2,000	5	10,000	135×190	237×172×102	560×245×195

						Tube	Inner Box	Outer Box
	Units/Tube /	Tubes/Inner Box /	Units/Inner Box /	Inner Boxes/Outer Box /	Units/Outer Box /			
TO-220/F/AC	50	20	1,000	5	5,000	532×31.4×5.5	555×164×50	575×290×180

/ Notices