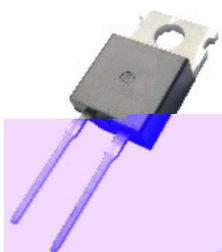


BRMUR1520AC

TO-220AC



/ Absolute Maximum Ratings(Ta=25)

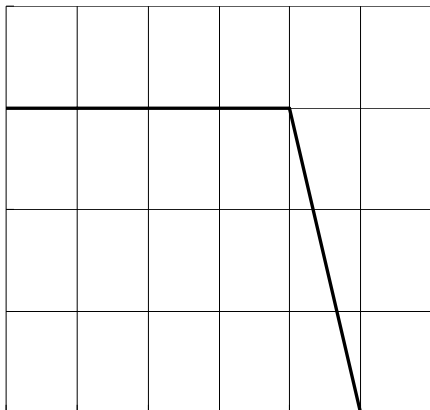
/ Electrical Characteristics(Ta=25)

						μ

/

/

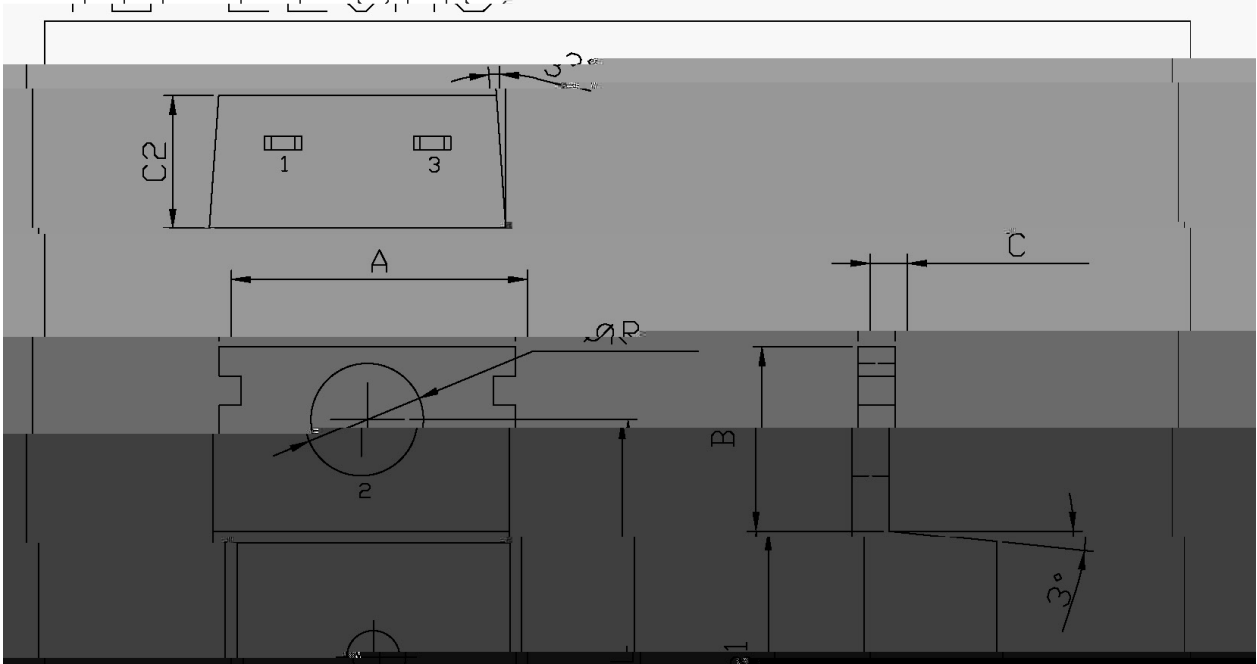
/ Electrical Characteristic Curve



/ Package Dimensions

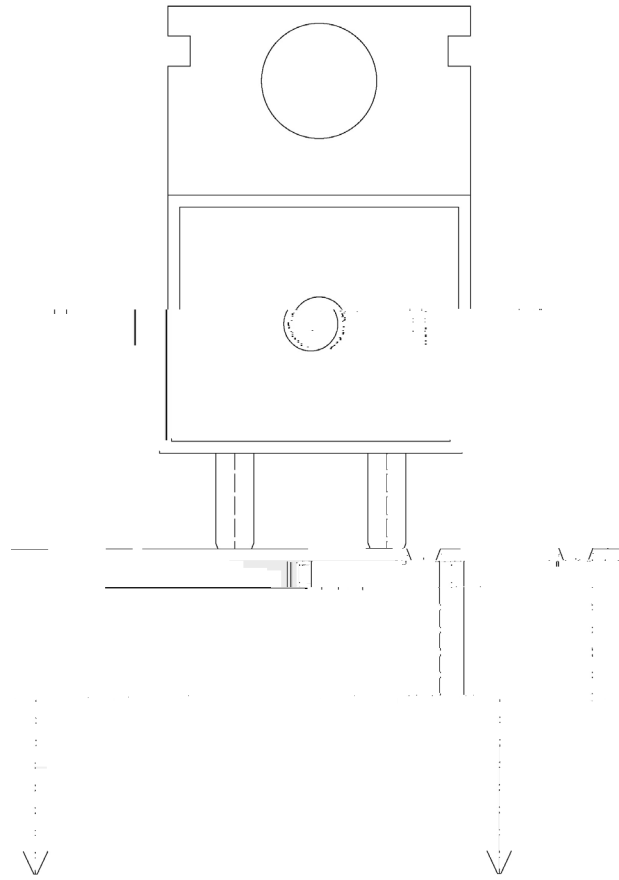
TO-220AC

Unit:mm



C_1	15.7	16.1	C_1	2.2	2.6
b	12.6	13.6	C	1.2	1.4
b_1	9.6	10.6	C	0.4	0.6

/ Marking Instructions



BR
MUR1520

BRMUR1520AC

DATA SHEET