

Rev.D Mar.-2016

TO-3P

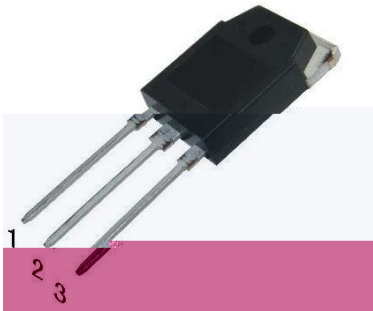
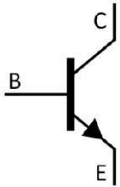
NPN

Silicon NPN transistor in a TO-3P Plastic Package.

High breakdown voltage, high speed, wide SOA.

CRT

Horizontal deflection output for TV and CRT monitor.



PIN1 Base

PIN 2 Collector

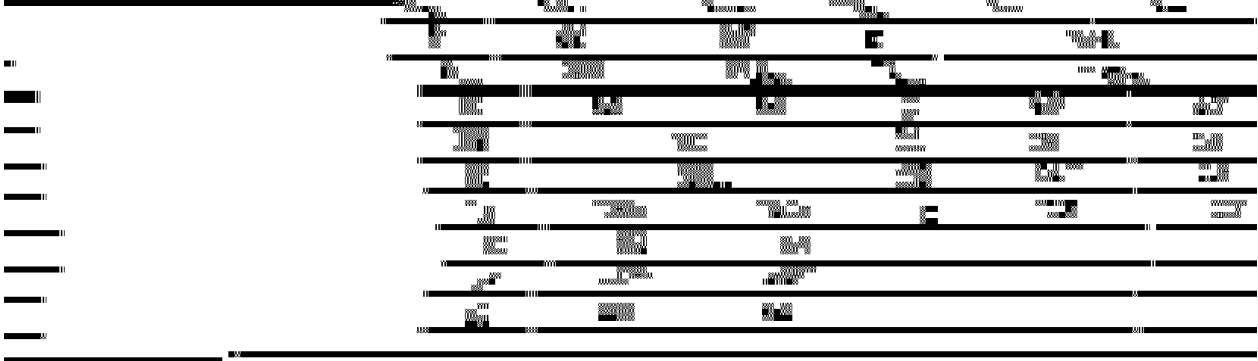
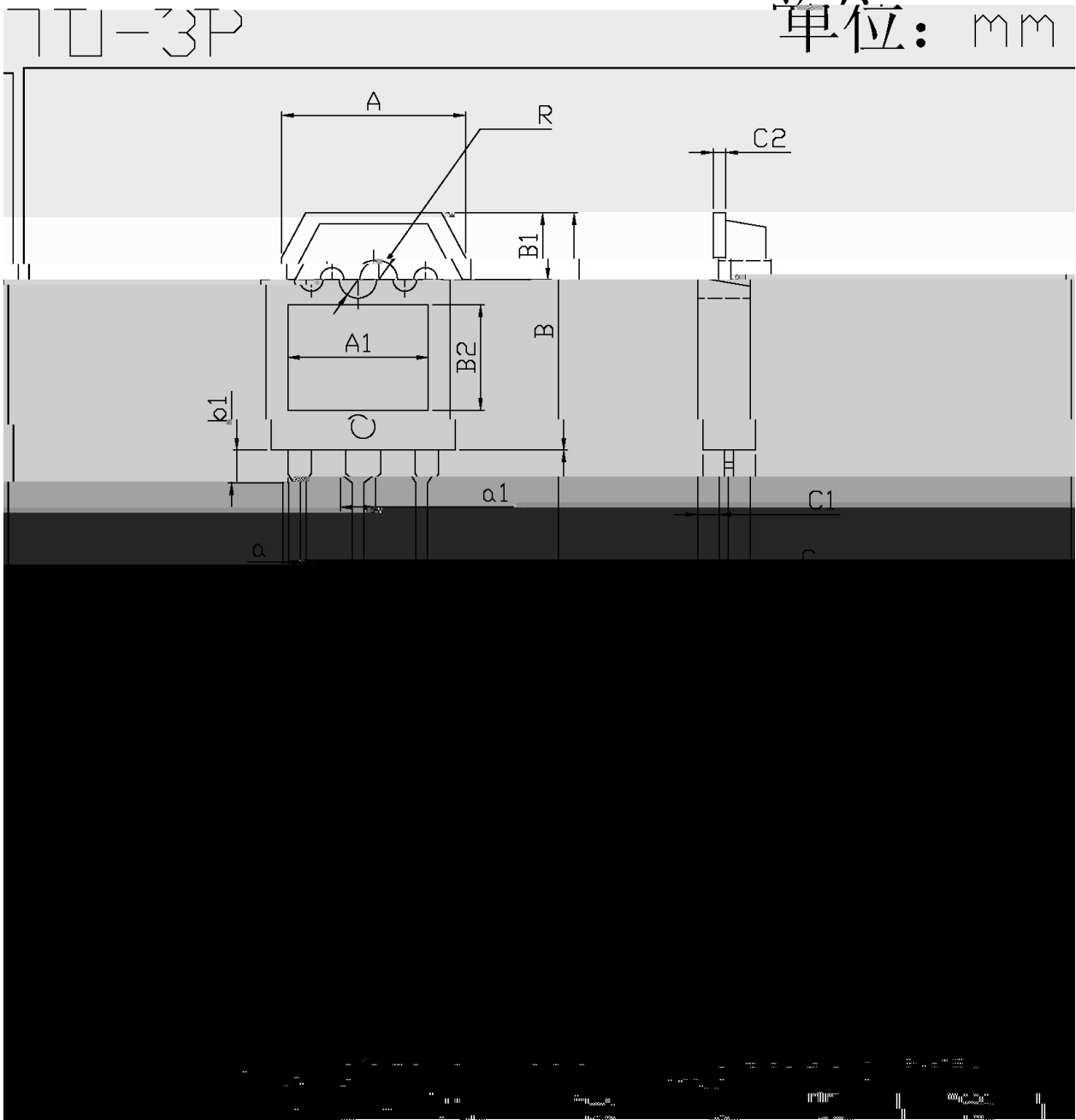
PIN 3 Emitter

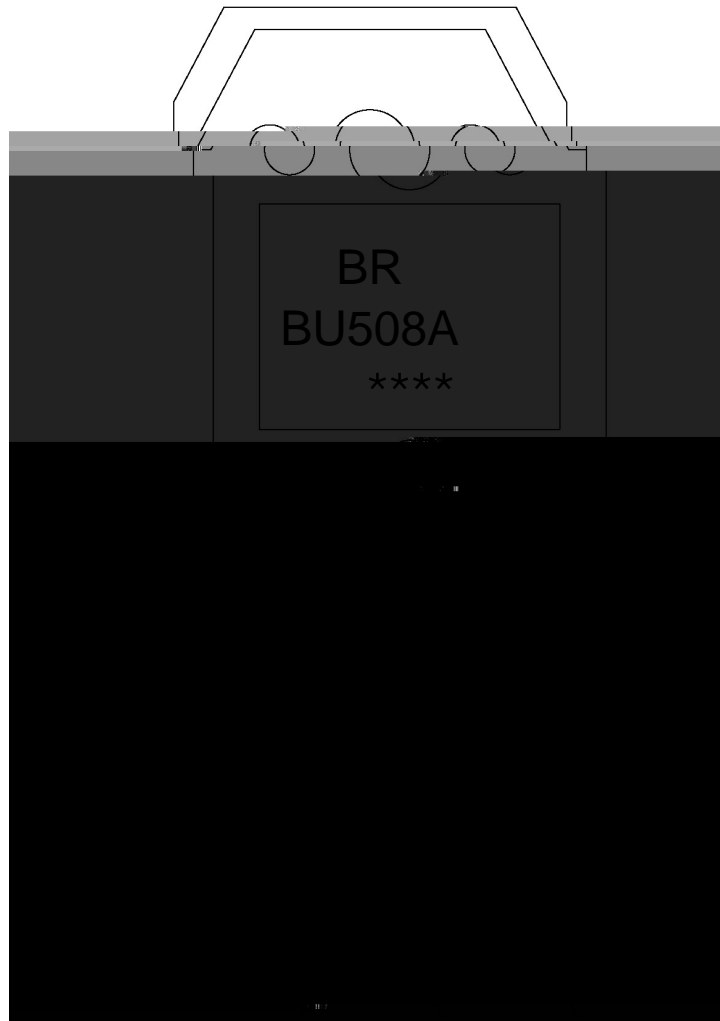
See Marking Instructions.

Parameter	Symbol	Rating	Unit
Collector to Base Voltage	$V_{CBO}$	1500	V
Collector to Emitter Voltage	$V_{CEO}$	700	V
Collector to Emitter Voltage( $V_{EB}=0$ )	$V_{CES}$	1500	V
Emitter to Base Voltage	$V_{EBO}$	9	V
Collector Current - Continuous	$I_C$	8	A
Peak Collector Current	$I_{CM}$	15	A
Total Power Dissipation	P		

Rev.D Mar.-2016

---





BR:

BU 508A

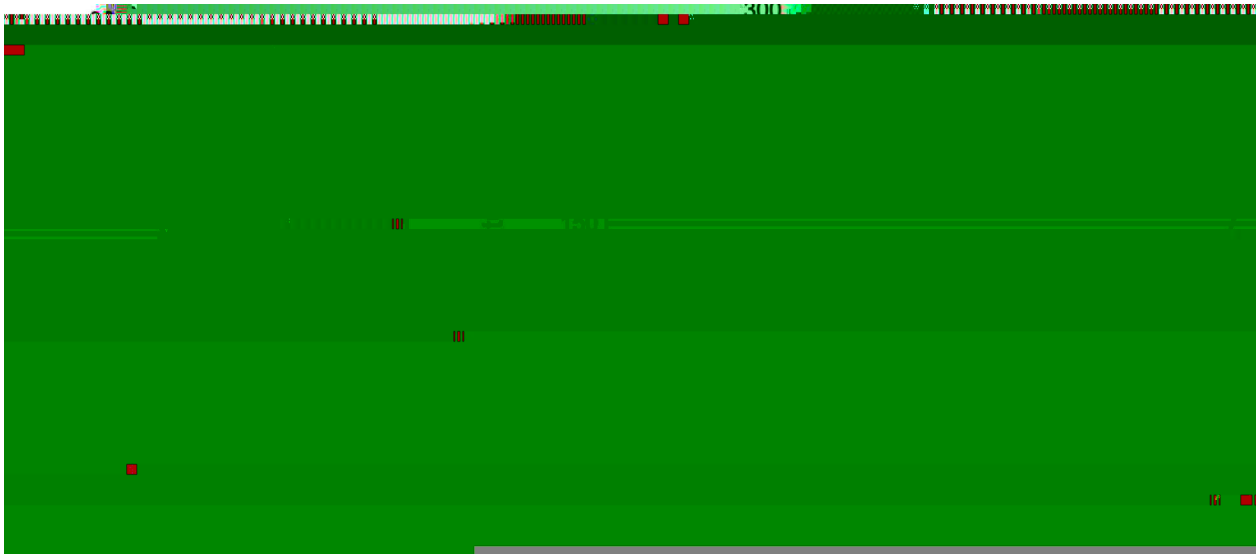
\*\*\*\*

Note:

BR: Company Code.

BU 508A: Product Type.

\*\*\*\*: Lot No. Code, code change with Lot No.



- |   |       |     |           |        |   |
|---|-------|-----|-----------|--------|---|
| 1 | 25    | 150 | 60        | 90sec; | Note:                                   |
| 2 | 255±5 |     | 5±0.5sec; |        | 1.Preheating:25~150 , Time:60~90sec.    |
| 3 |       | 2   | 10 /sec.  |        | 2.Peak Temp.:255±5 , Duration:5±0.5sec. |
|   |       |     |           |        | 3. Cooling Speed: 2~10 /sec.            |

2 ±

5

7