

/ Descriptions

TO-92 PNP Silicon PNP transistor in a TO-92 Plastic Package.

/ Features

KSD261
Complementary pair with KSD261.

/ Applications

Low frequency power amplifier.

/ Equivalent Circuit



/ Pinning



PIN1 Collector PIN 2 Base PIN 3 Emitter

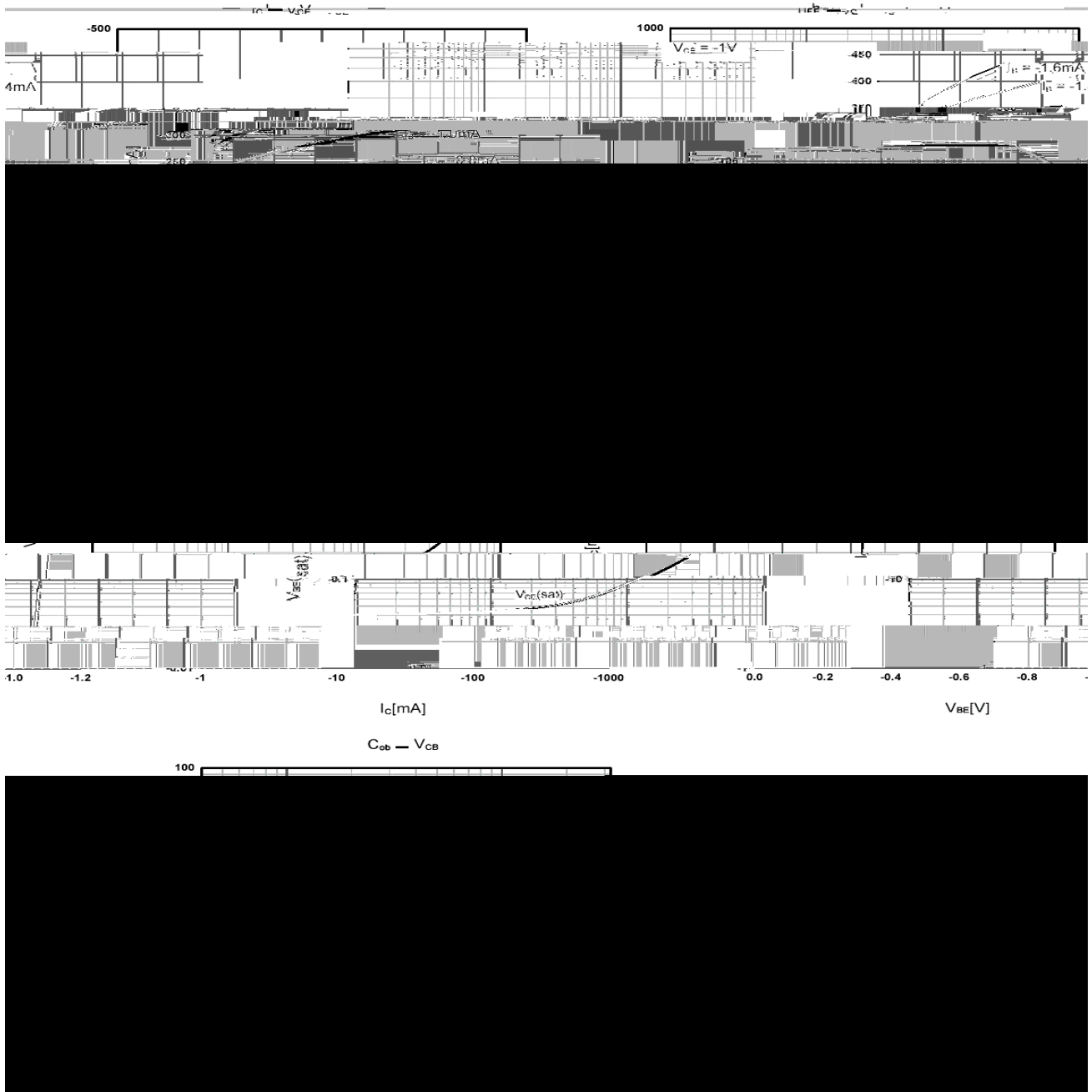
/ hFE Classifications & Marking

h _{FE} Classifications Symbol	R	O	Y	G
h _{FE} Range	40~80	70~140	120~140	200~400

Parameter

Symbol

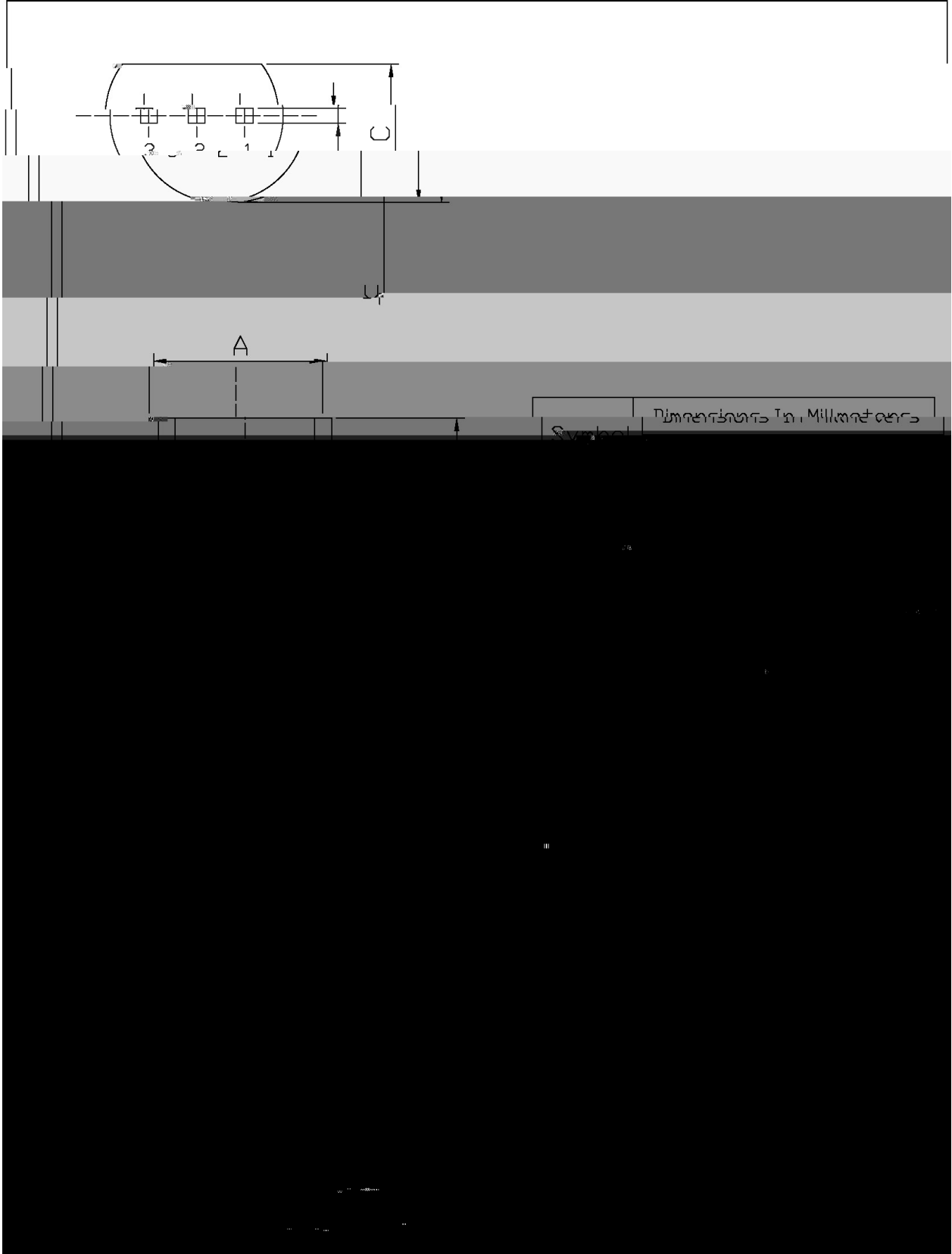
/ Electrical Characteristic Curve

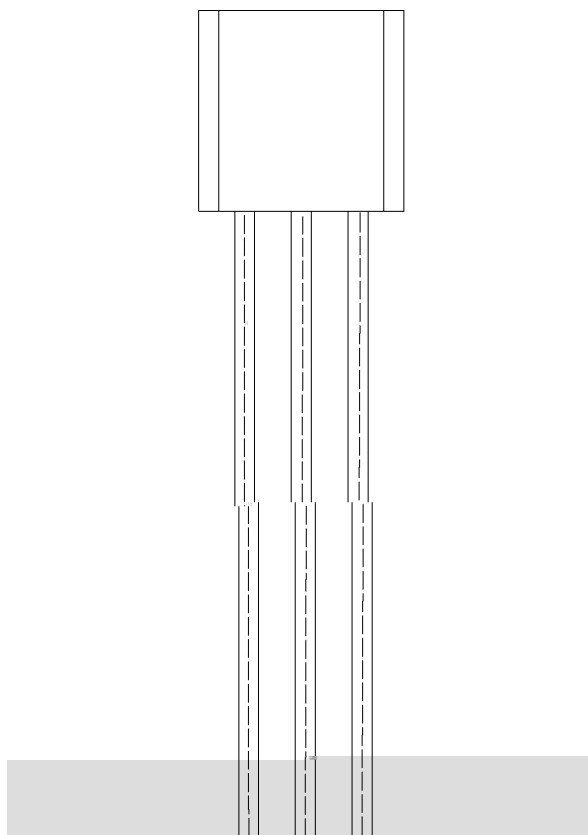


/ Package Dimensions

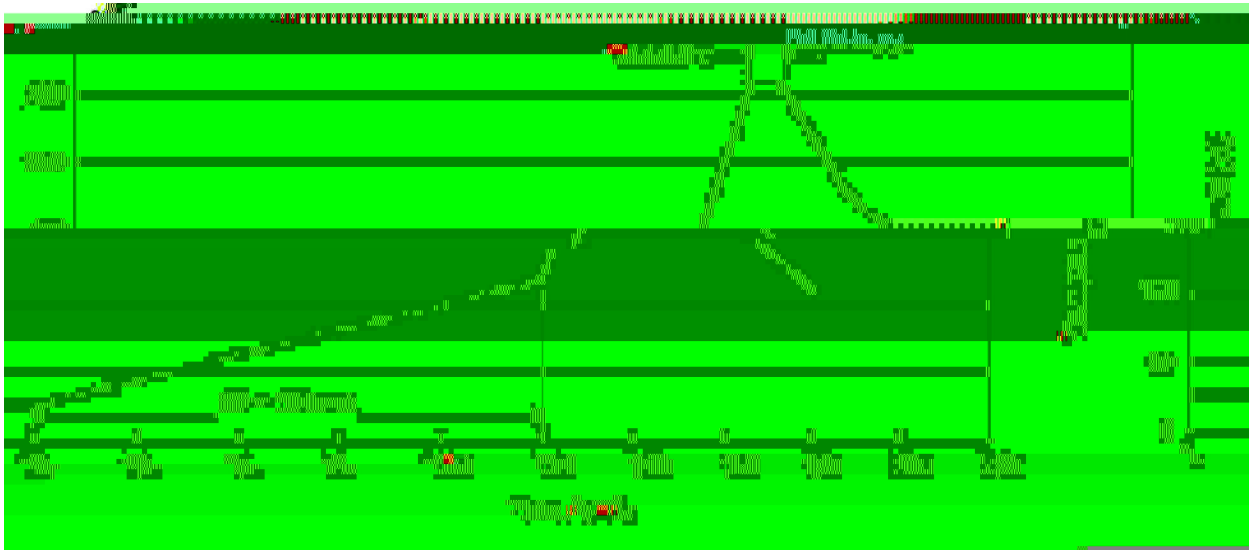
T0-92

Unit: mm





() / Temperature Profile for Dip Soldering(Pb-Free)



Note: