

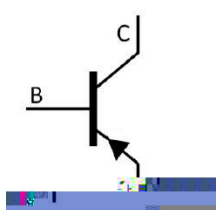
KSB1116(A)

KF \$0)

GE G

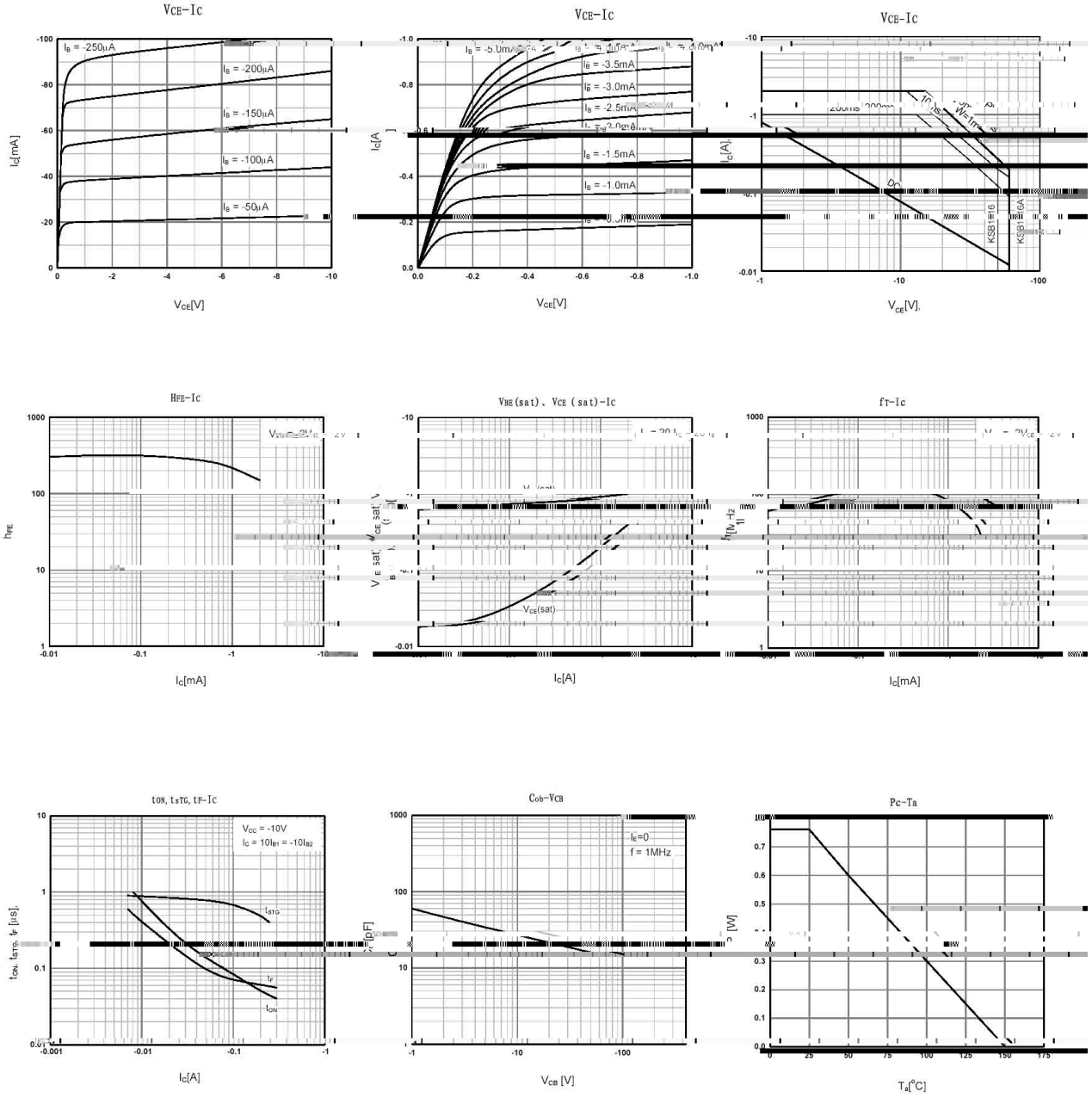
BJ; (- (- Žž

#



						μ
						μ

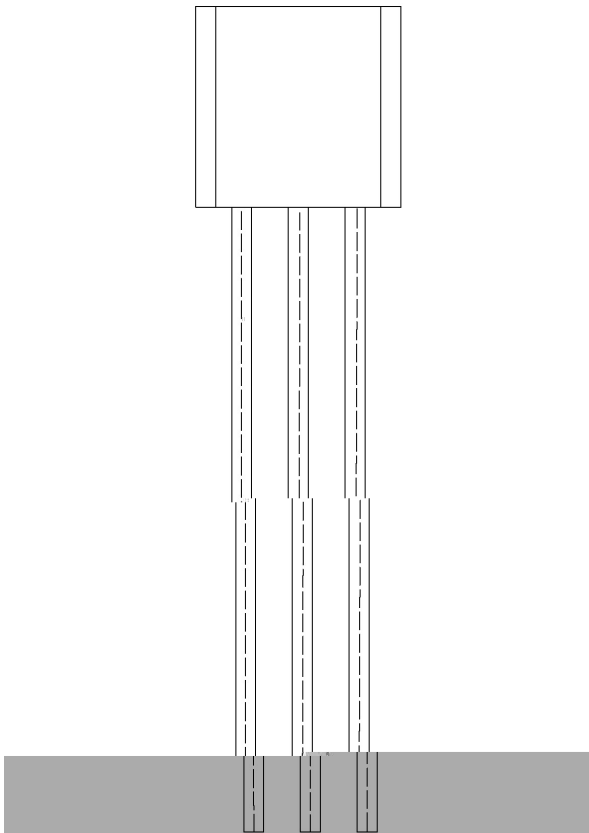
/ Electrical Characteristic Curve



KSB1116(A)

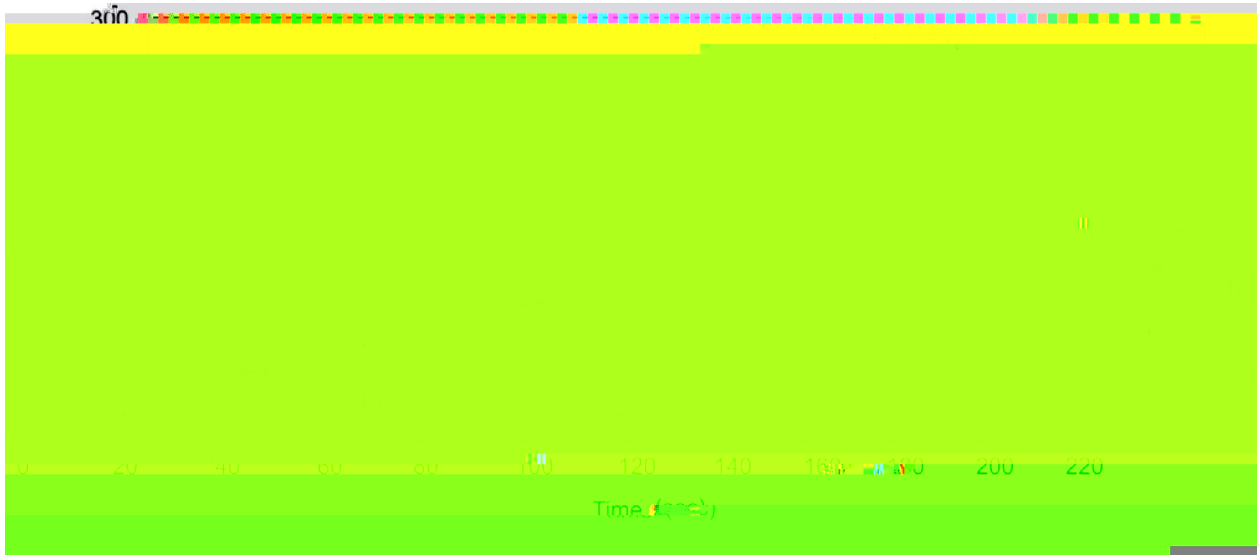
DATA SHEET

/ Marking Instructions



91 1
9(((-

() / Temperature Profile for Dip Soldering(Pb-Free)



...

/ Resistance to Soldering Heat Test Conditions

...

/ Packaging SPEC.