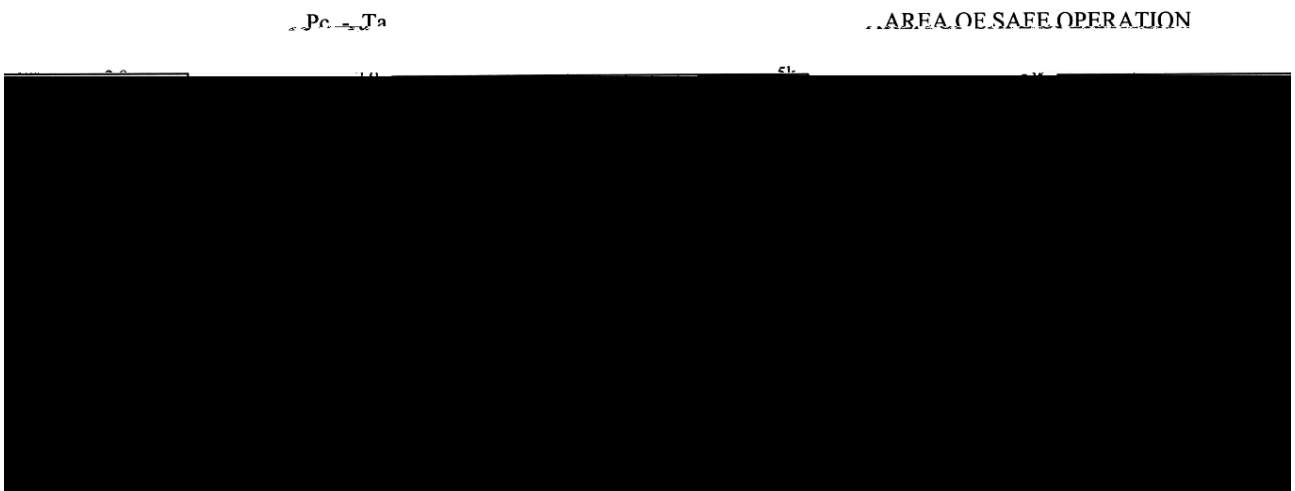
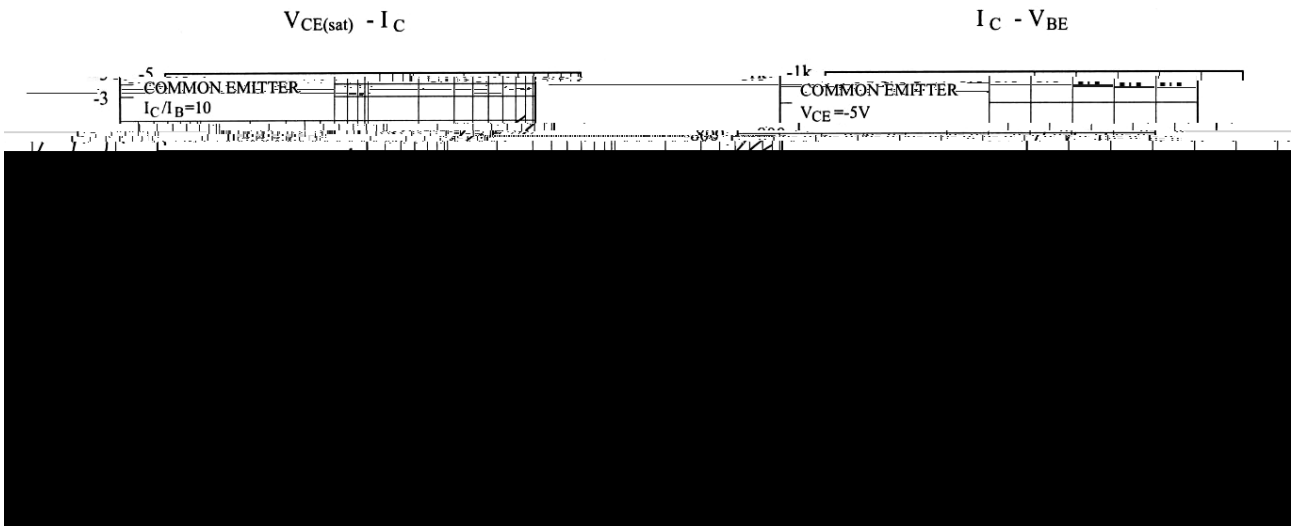
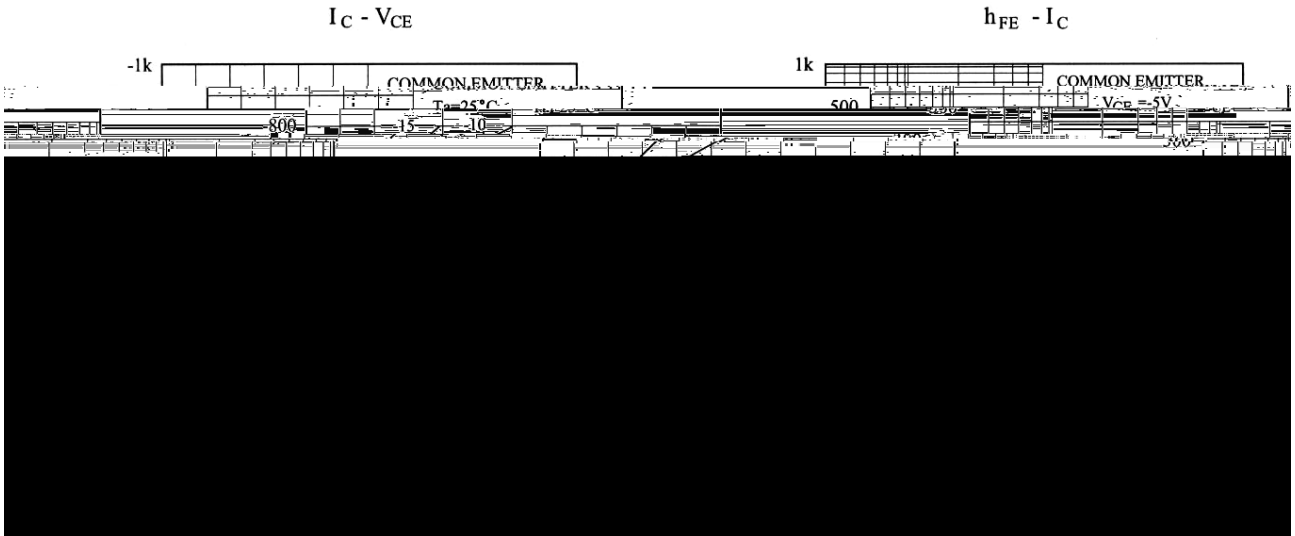


Parameter	Symbol	Rating	Unit
Collector to Base Voltage	V_{CBO}	-120	V
Collector to Emitter Voltage	V_{CEO}	-120	V
Emitter to Base Voltage	V_{EBO}	-5.0	V
Collector Current - Continuous	I_C	-800	mA
Emitter Current - Continuous	I_E	800	mA
Collector Power Dissipation	P_C	1.0	W

tag

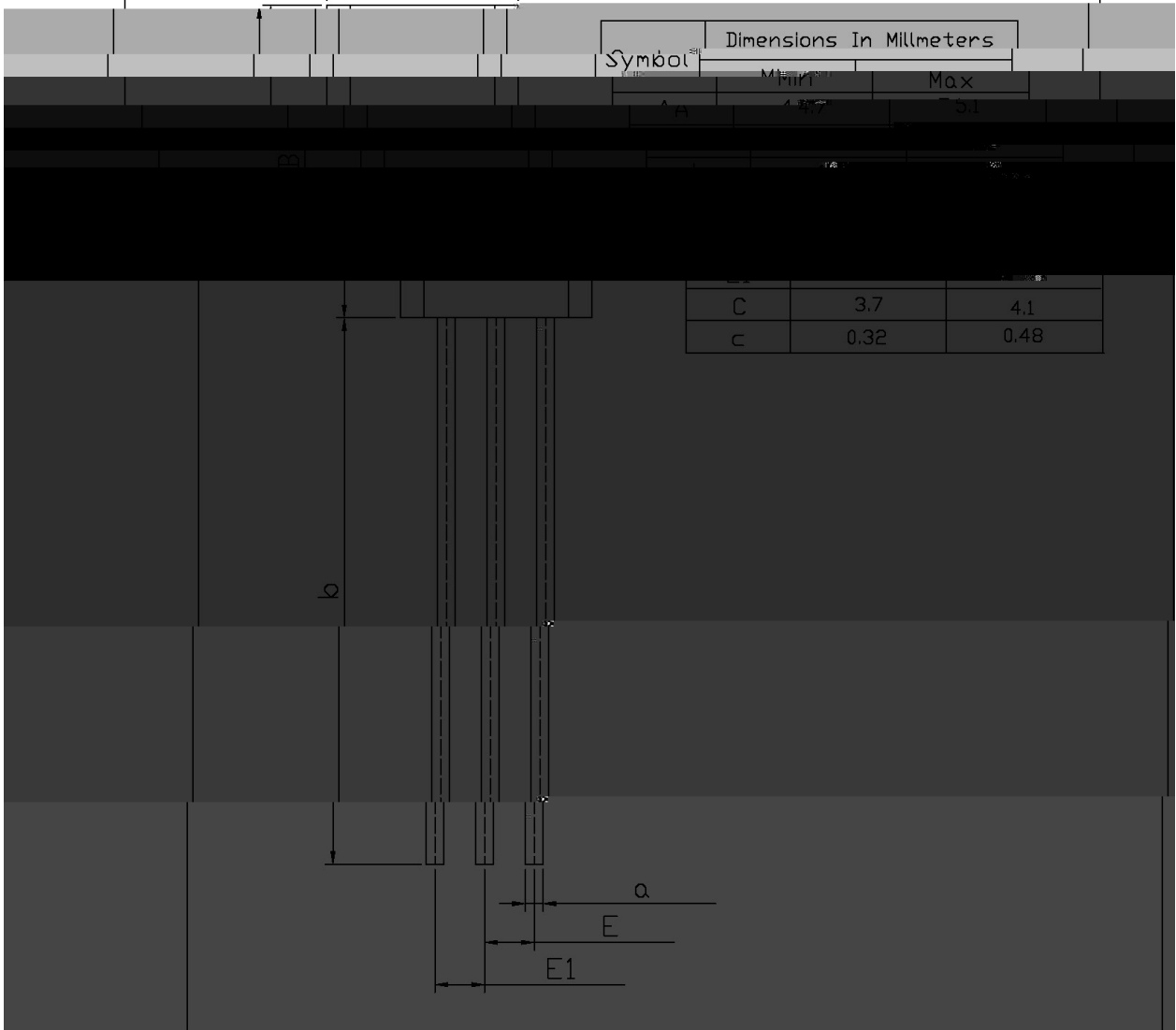
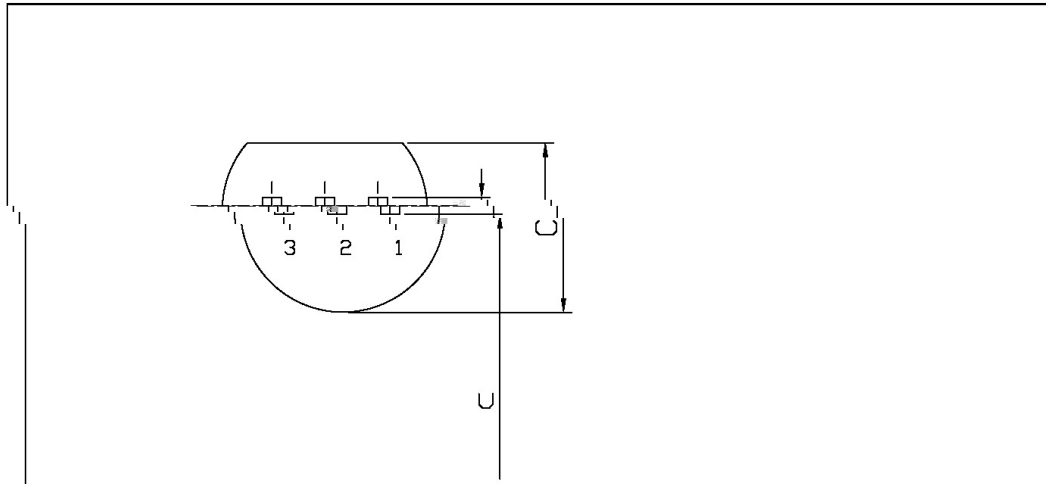
/ Electrical Characteristic Curve



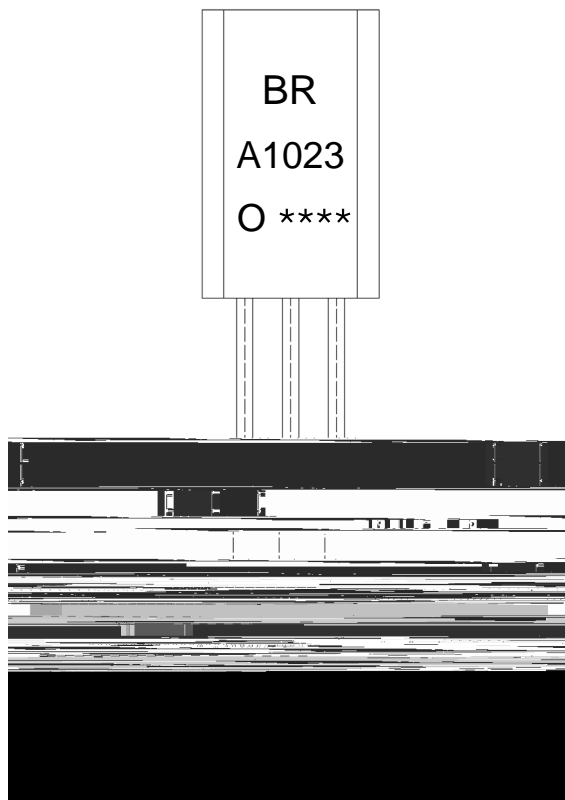
/ Package Dimensions

TO-92LM

Unit: mm



/ Marking Instructions



BR:

A1023

O: h_{FE}

Note:

BR: Company Code.

A1023: Product Type.

O: h_{FE} Classifications Symbol

****: Lot No. Code,code change with Lot No.

KTA1023