

## / Descriptions

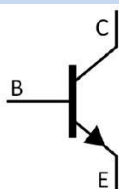
TO-92      NPN

## / Features

KTA 200

## / Applications

## / Equivalent Circuit



## / Pinning

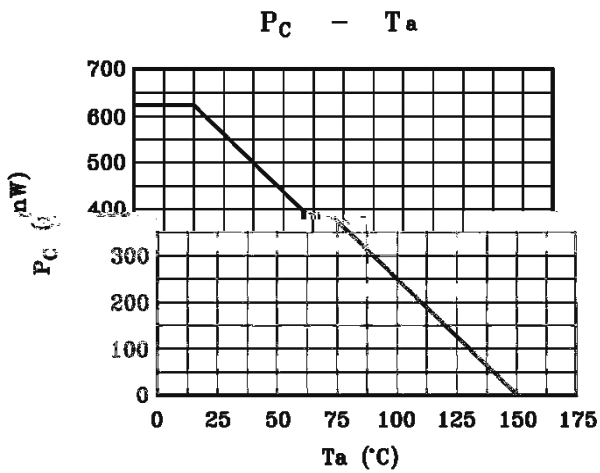
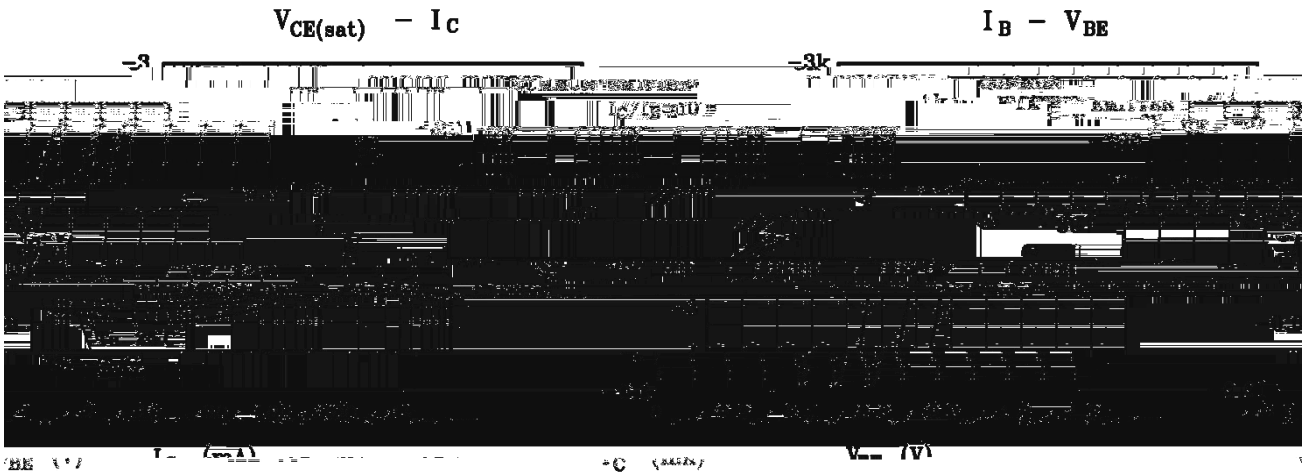
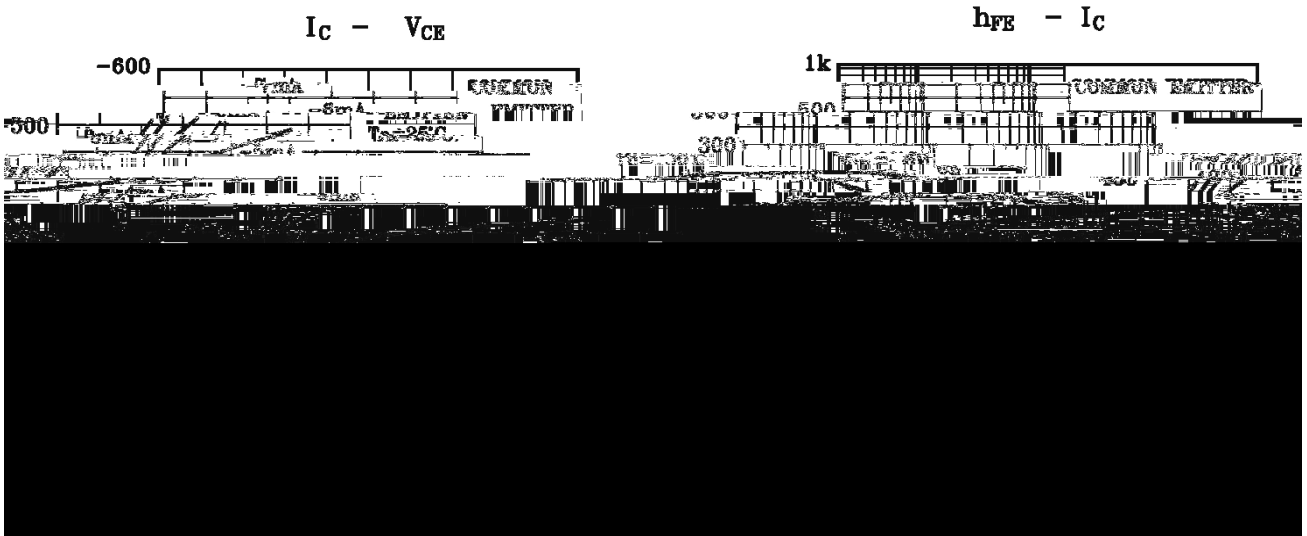


## / hFE Classifications & Marking



						μ
						μ

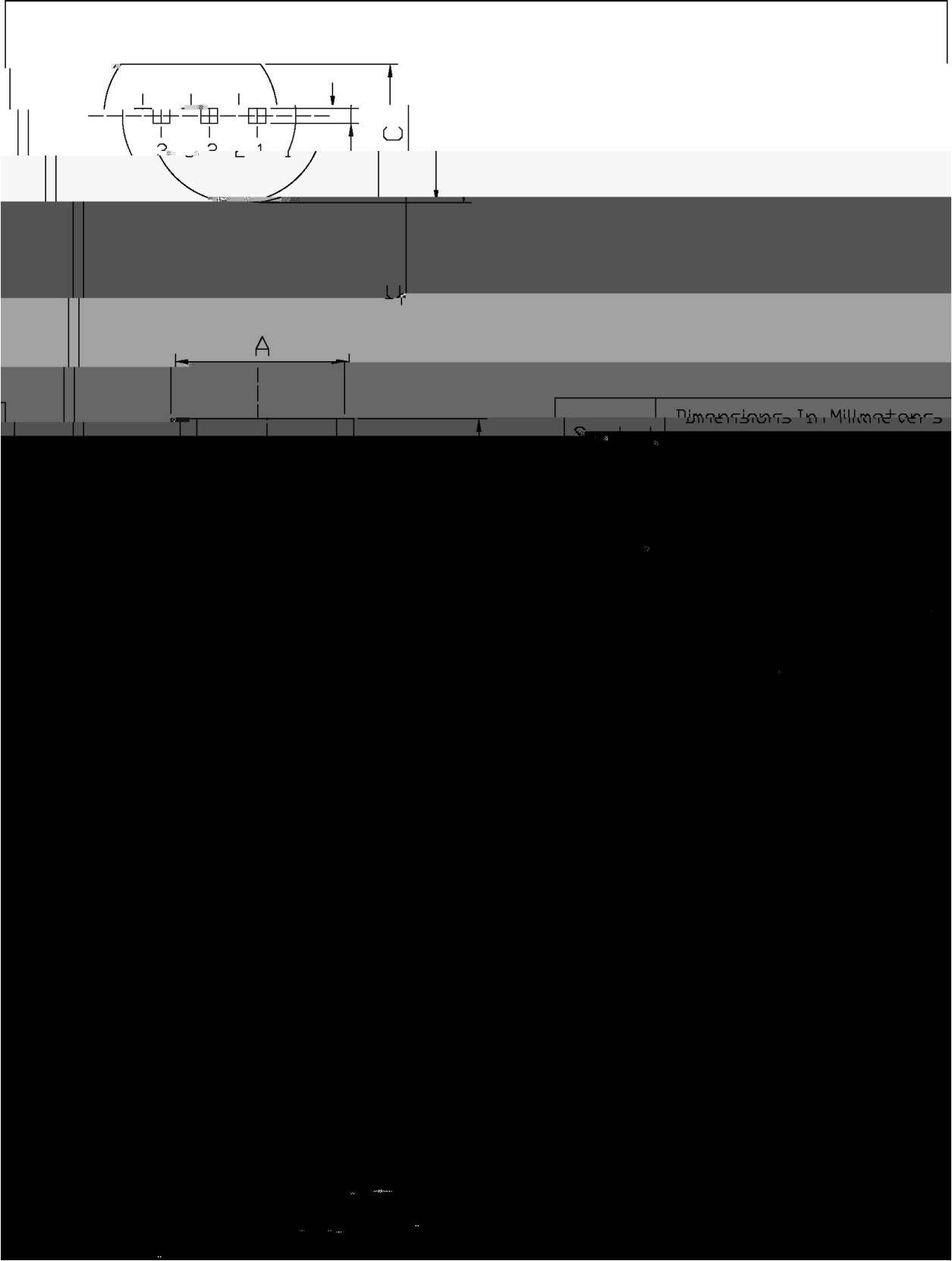
/ Electrical Characteristic Curve



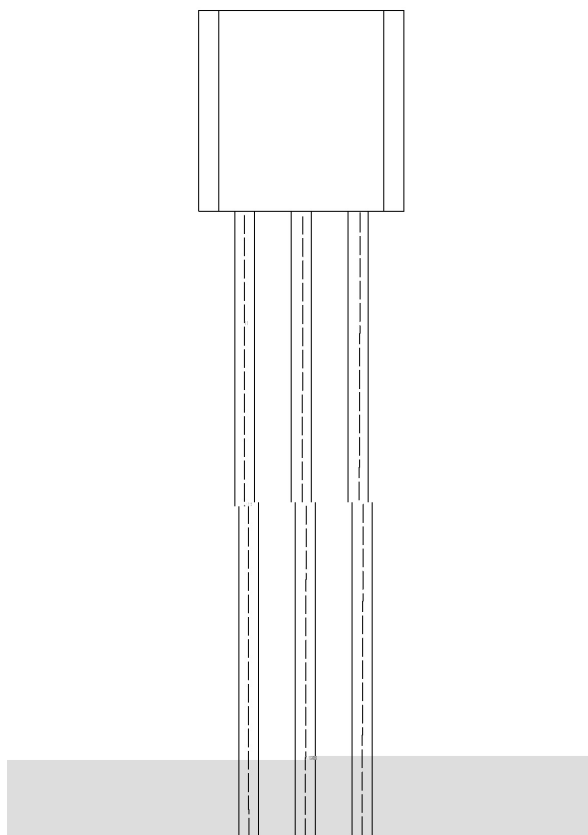
/ Package Dimensions

T0-92

Unit: mm



/ Marking Instructions



BR:

C200

Y:

$h_{FE}$

\*\*\*\*

( ) / Temperature Profile for Dip Soldering(Pb-Free)

