

# LV40100BCT

## / Descriptions

TO-263

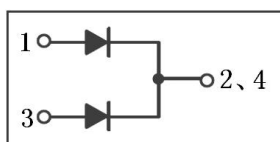
## / Features

## / Applications

OR-ing

DC-DC

## / Equivalent Circuit



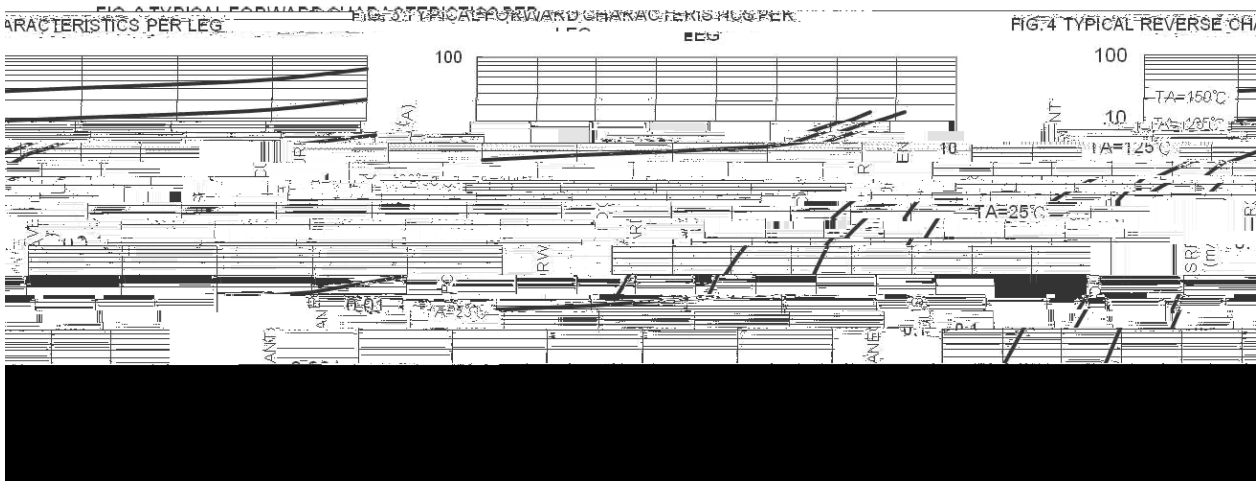
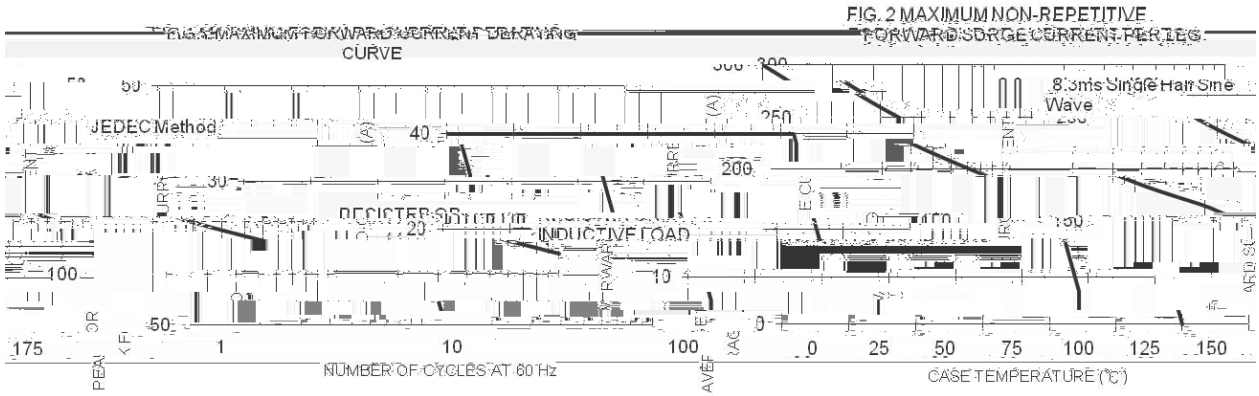
## / Pinning



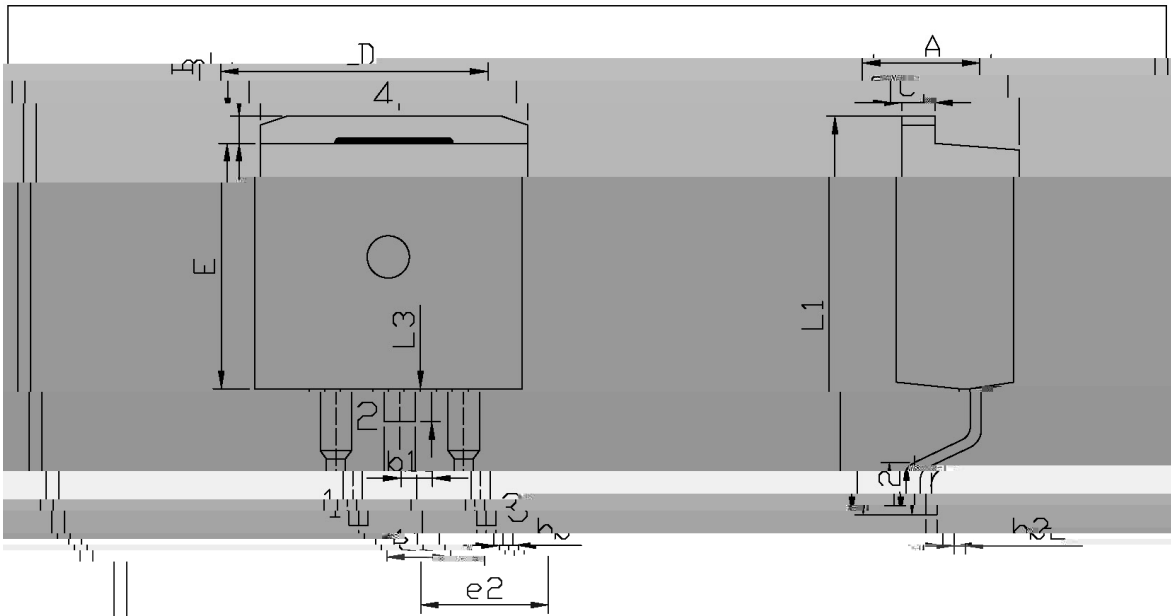
## / h<sub>FE</sub> Classifications & Marking



/ Electrical Characteristic Curve



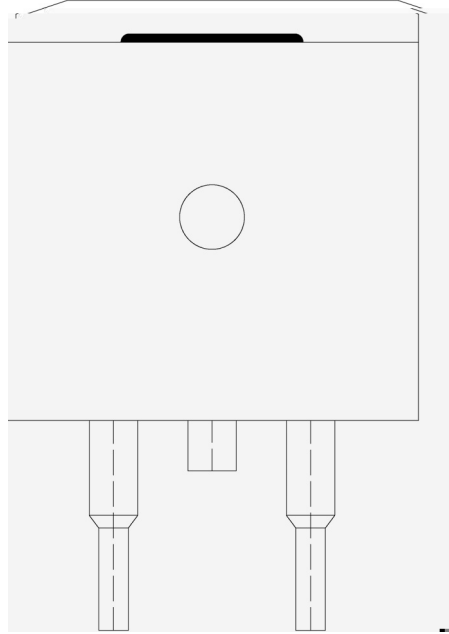
/ Package Dimensions



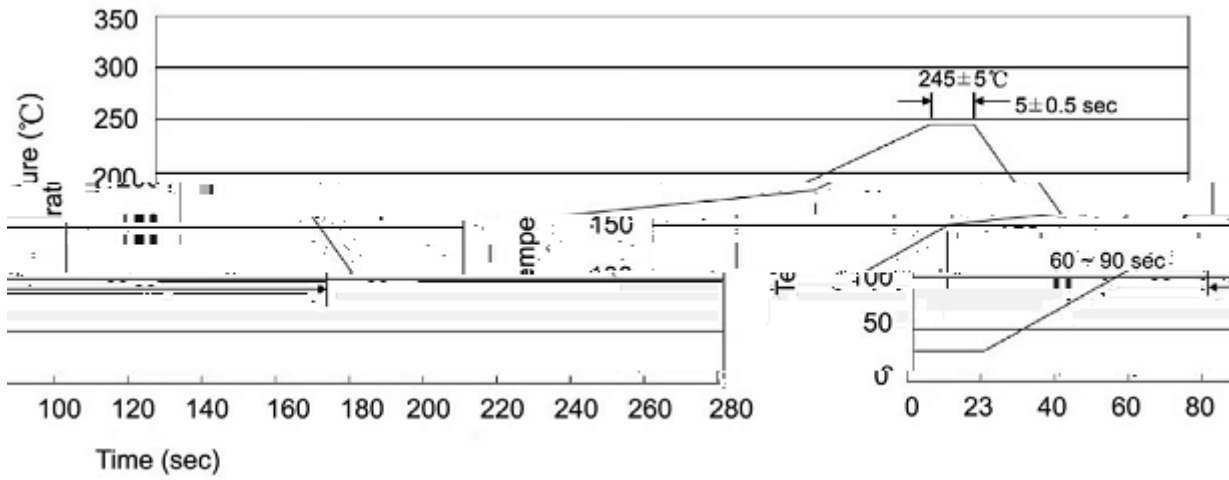
单位: mm

Dimensions in Millimeters		Dimensions in Millimeters		Dimensions in Millimeters	
Symbol	Value	Symbol	Value	Symbol	Value
A	4.30	A	4.70	F <sub>L</sub>	0.00
B	1.00	B	1.40	e <sub>1</sub>	2.00
C	0.50	C	0.50	e <sub>2</sub>	2.00
D	4.00	D	4.00	e <sub>3</sub>	2.00
E	1.00	E	1.00	e <sub>4</sub>	2.00
L <sub>1</sub>	1.00	L <sub>1</sub>	1.00	e <sub>5</sub>	2.00
L <sub>2</sub>	1.00	L <sub>2</sub>	1.00	e <sub>6</sub>	2.00
L <sub>3</sub>	1.00	L <sub>3</sub>	1.00	e <sub>7</sub>	2.00
L <sub>4</sub>	1.00	L <sub>4</sub>	1.00	e <sub>8</sub>	2.00
L <sub>5</sub>	1.00	L <sub>5</sub>	1.00	e <sub>9</sub>	2.00
L <sub>6</sub>	1.00	L <sub>6</sub>	1.00	e <sub>10</sub>	2.00
L <sub>7</sub>	1.00	L <sub>7</sub>	1.00	e <sub>11</sub>	2.00
L <sub>8</sub>	1.00	L <sub>8</sub>	1.00	e <sub>12</sub>	2.00
L <sub>9</sub>	1.00	L <sub>9</sub>	1.00	e <sub>13</sub>	2.00
L <sub>10</sub>	1.00	L <sub>10</sub>	1.00	e <sub>14</sub>	2.00
L <sub>11</sub>	1.00	L <sub>11</sub>	1.00	e <sub>15</sub>	2.00
L <sub>12</sub>	1.00	L <sub>12</sub>	1.00	e <sub>16</sub>	2.00
L <sub>13</sub>	1.00	L <sub>13</sub>	1.00	e <sub>17</sub>	2.00
L <sub>14</sub>	1.00	L <sub>14</sub>	1.00	e <sub>18</sub>	2.00
L <sub>15</sub>	1.00	L <sub>15</sub>	1.00	e <sub>19</sub>	2.00
L <sub>16</sub>	1.00	L <sub>16</sub>	1.00	e <sub>20</sub>	2.00
L <sub>17</sub>	1.00	L <sub>17</sub>	1.00	e <sub>21</sub>	2.00
L <sub>18</sub>	1.00	L <sub>18</sub>	1.00	e <sub>22</sub>	2.00
L <sub>19</sub>	1.00	L <sub>19</sub>	1.00	e <sub>23</sub>	2.00
L <sub>20</sub>	1.00	L <sub>20</sub>	1.00	e <sub>24</sub>	2.00
L <sub>21</sub>	1.00	L <sub>21</sub>	1.00	e <sub>25</sub>	2.00
L <sub>22</sub>	1.00	L <sub>22</sub>	1.00	e <sub>26</sub>	2.00
L <sub>23</sub>	1.00	L <sub>23</sub>	1.00	e <sub>27</sub>	2.00
L <sub>24</sub>	1.00	L <sub>24</sub>	1.00	e <sub>28</sub>	2.00
L <sub>25</sub>	1.00	L <sub>25</sub>	1.00	e <sub>29</sub>	2.00
L <sub>26</sub>	1.00	L <sub>26</sub>	1.00	e <sub>30</sub>	2.00
L <sub>27</sub>	1.00	L <sub>27</sub>	1.00	e <sub>31</sub>	2.00
L <sub>28</sub>	1.00	L <sub>28</sub>	1.00	e <sub>32</sub>	2.00
L <sub>29</sub>	1.00	L <sub>29</sub>	1.00	e <sub>33</sub>	2.00
L <sub>30</sub>	1.00	L <sub>30</sub>	1.00	e <sub>34</sub>	2.00
L <sub>31</sub>	1.00	L <sub>31</sub>	1.00	e <sub>35</sub>	2.00
L <sub>32</sub>	1.00	L <sub>32</sub>	1.00	e <sub>36</sub>	2.00
L <sub>33</sub>	1.00	L <sub>33</sub>	1.00	e <sub>37</sub>	2.00
L <sub>34</sub>	1.00	L <sub>34</sub>	1.00	e <sub>38</sub>	2.00
L <sub>35</sub>	1.00	L <sub>35</sub>	1.00	e <sub>39</sub>	2.00
L <sub>36</sub>	1.00	L <sub>36</sub>	1.00	e <sub>40</sub>	2.00
L <sub>37</sub>	1.00	L <sub>37</sub>	1.00	e <sub>41</sub>	2.00
L <sub>38</sub>	1.00	L <sub>38</sub>	1.00	e <sub>42</sub>	2.00
L <sub>39</sub>	1.00	L <sub>39</sub>	1.00	e <sub>43</sub>	2.00
L <sub>40</sub>	1.00	L <sub>40</sub>	1.00	e <sub>44</sub>	2.00
L <sub>41</sub>	1.00	L <sub>41</sub>	1.00	e <sub>45</sub>	2.00
L <sub>42</sub>	1.00	L <sub>42</sub>	1.00	e <sub>46</sub>	2.00
L <sub>43</sub>	1.00	L <sub>43</sub>	1.00	e <sub>47</sub>	2.00
L <sub>44</sub>	1.00	L <sub>44</sub>	1.00	e <sub>48</sub>	2.00
L <sub>45</sub>	1.00	L <sub>45</sub>	1.00	e <sub>49</sub>	2.00
L <sub>46</sub>	1.00	L <sub>46</sub>	1.00	e <sub>50</sub>	2.00
L <sub>47</sub>	1.00	L <sub>47</sub>	1.00	e <sub>51</sub>	2.00
L <sub>48</sub>	1.00	L <sub>48</sub>	1.00	e <sub>52</sub>	2.00
L <sub>49</sub>	1.00	L <sub>49</sub>	1.00	e <sub>53</sub>	2.00
L <sub>50</sub>	1.00	L <sub>50</sub>	1.00	e <sub>54</sub>	2.00
L <sub>51</sub>	1.00	L <sub>51</sub>	1.00	e <sub>55</sub>	2.00
L <sub>52</sub>	1.00	L <sub>52</sub>	1.00	e <sub>56</sub>	2.00
L <sub>53</sub>	1.00	L <sub>53</sub>	1.00	e <sub>57</sub>	2.00
L <sub>54</sub>	1.00	L <sub>54</sub>	1.00	e <sub>58</sub>	2.00
L <sub>55</sub>	1.00	L <sub>55</sub>	1.00	e <sub>59</sub>	2.00
L <sub>56</sub>	1.00	L <sub>56</sub>	1.00	e <sub>60</sub>	2.00
L <sub>57</sub>	1.00	L <sub>57</sub>	1.00	e <sub>61</sub>	2.00
L <sub>58</sub>	1.00	L <sub>58</sub>	1.00	e <sub>62</sub>	2.00
L <sub>59</sub>	1.00	L <sub>59</sub>	1.00	e <sub>63</sub>	2.00
L <sub>60</sub>	1.00	L <sub>60</sub>	1.00	e <sub>64</sub>	2.00
L <sub>61</sub>	1.00	L <sub>61</sub>	1.00	e <sub>65</sub>	2.00
L <sub>62</sub>	1.00	L <sub>62</sub>	1.00	e <sub>66</sub>	2.00
L <sub>63</sub>	1.00	L <sub>63</sub>	1.00	e <sub>67</sub>	2.00
L <sub>64</sub>	1.00	L <sub>64</sub>	1.00	e <sub>68</sub>	2.00
L <sub>65</sub>	1.00	L <sub>65</sub>	1.00	e <sub>69</sub>	2.00
L <sub>66</sub>	1.00	L <sub>66</sub>	1.00	e <sub>70</sub>	2.00
L <sub>67</sub>	1.00	L <sub>67</sub>	1.00	e <sub>71</sub>	2.00
L <sub>68</sub>	1.00	L <sub>68</sub>	1.00	e <sub>72</sub>	2.00
L <sub>69</sub>	1.00	L <sub>69</sub>	1.00	e <sub>73</sub>	2.00
L <sub>70</sub>	1.00	L <sub>70</sub>	1.00	e <sub>74</sub>	2.00
L <sub>71</sub>	1.00	L <sub>71</sub>	1.00	e <sub>75</sub>	2.00
L <sub>72</sub>	1.00	L <sub>72</sub>	1.00	e <sub>76</sub>	2.00
L <sub>73</sub>	1.00	L <sub>73</sub>	1.00	e <sub>77</sub>	2.00
L <sub>74</sub>	1.00	L <sub>74</sub>	1.00	e <sub>78</sub>	2.00
L <sub>75</sub>	1.00	L <sub>75</sub>	1.00	e <sub>79</sub>	2.00
L <sub>76</sub>	1.00	L <sub>76</sub>	1.00	e <sub>80</sub>	2.00
L <sub>77</sub>	1.00	L <sub>77</sub>	1.00	e <sub>81</sub>	2.00
L <sub>78</sub>	1.00	L <sub>78</sub>	1.00	e <sub>82</sub>	2.00
L <sub>79</sub>	1.00	L <sub>79</sub>	1.00	e <sub>83</sub>	2.00
L <sub>80</sub>	1.00	L <sub>80</sub>	1.00	e <sub>84</sub>	2.00
L <sub>81</sub>	1.00	L <sub>81</sub>	1.00	e <sub>85</sub>	2.00
L <sub>82</sub>	1.00	L <sub>82</sub>	1.00	e <sub>86</sub>	2.00
L <sub>83</sub>	1.00	L <sub>83</sub>	1.00	e <sub>87</sub>	2.00
L <sub>84</sub>	1.00	L <sub>84</sub>	1.00	e <sub>88</sub>	2.00
L <sub>85</sub>	1.00	L <sub>85</sub>	1.00	e <sub>89</sub>	2.00
L <sub>86</sub>	1.00	L <sub>86</sub>	1.00	e <sub>90</sub>	2.00
L <sub>87</sub>	1.00	L <sub>87</sub>	1.00	e <sub>91</sub>	2.00
L <sub>88</sub>	1.00	L <sub>88</sub>	1.00	e <sub>92</sub>	2.00
L <sub>89</sub>	1.00	L <sub>89</sub>	1.00	e <sub>93</sub>	2.00
L <sub>90</sub>	1.00	L <sub>90</sub>	1.00	e <sub>94</sub>	2.00
L <sub>91</sub>	1.00	L <sub>91</sub>	1.00	e <sub>95</sub>	2.00
L <sub>92</sub>	1.00	L <sub>92</sub>	1.00	e <sub>96</sub>	2.00
L <sub>93</sub>	1.00	L <sub>93</sub>	1.00	e <sub>97</sub>	2.00
L <sub>94</sub>	1.00	L <sub>94</sub>	1.00	e <sub>98</sub>	2.00
L <sub>95</sub>	1.00	L <sub>95</sub>	1.00	e <sub>99</sub>	2.00
L <sub>96</sub>	1.00	L <sub>96</sub>	1.00	e <sub>100</sub>	2.00

/ Marking Instructions



( ) / Temperature Profile for Dip Soldering(Pb-Free)



± ± ± ±

/ Resistance to Soldering Heat Test Conditions

± ±

/ Packaging SPEC.

Units/Reel	Reels/Inner Box	Units/Inner Box
------------	-----------------	-----------------