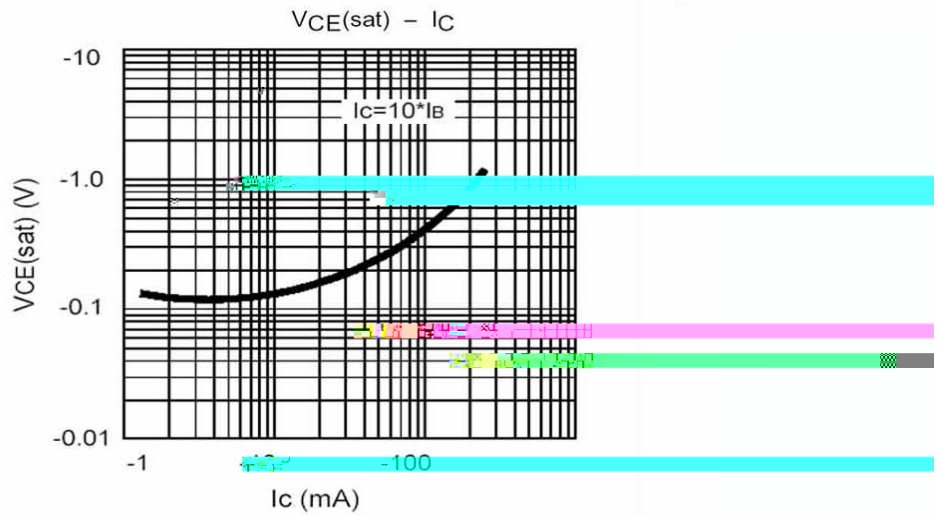
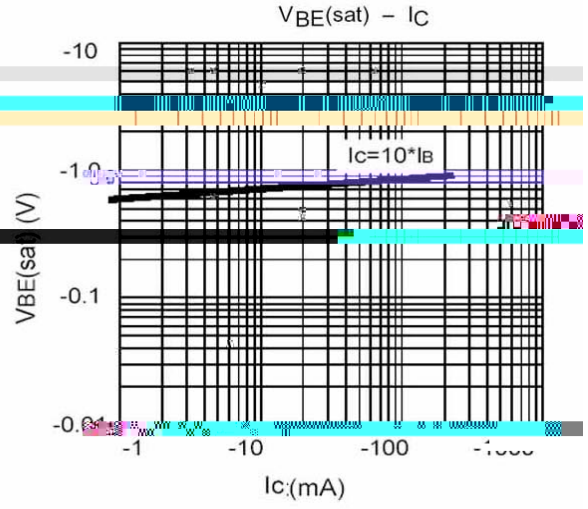
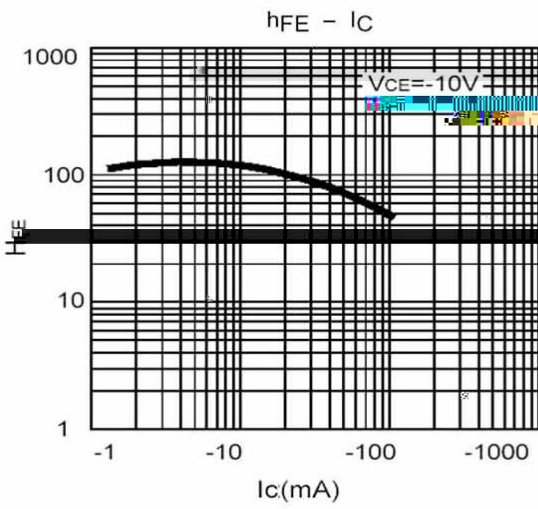


MPSA194
Rev.E Mar.-2016

TO-92 PNP Silicon PNP transistor in a TO-92 Plastic Package.

High breakdown voltage, Low drain current.

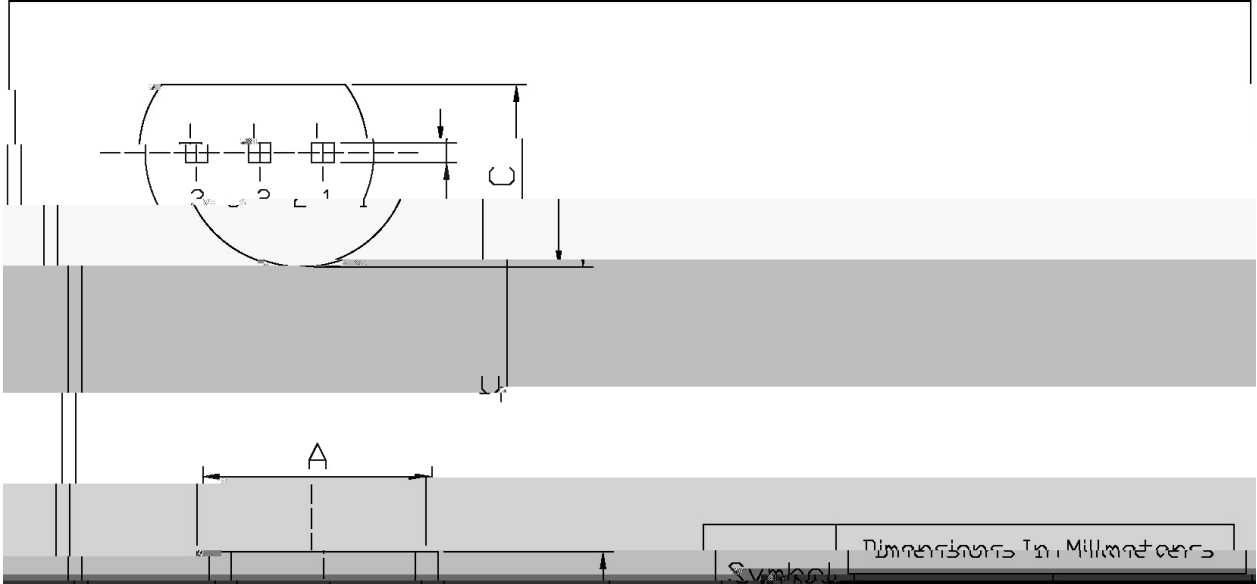
/ Electrical Characteristic Curve



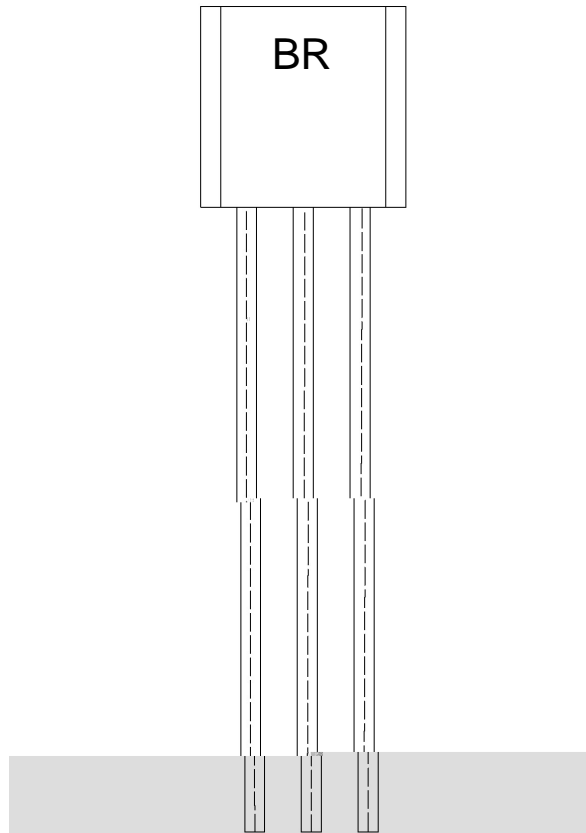
/ Package Dimensions

TO-92

Unit: mm



/ Marking Instructions



BR:

A194

Note:

BR: Company Code.

A194: Product Type.

****: Lot No. Code,code change with Lot No.

